

## OUR TRACERY PANELS ARE LOOKING UP

We studied plaster-based tracery installations from around the world with the objective of fabricating similar stunning patterns in a more cost-effective format.

Consider this. The large format panels are designed to allow users to mix and match with any of the other large format designs therefore allowing for an endless combination of unique patterns.

The customizable products are milled out of high-performance synthetic materials therefore will not rot or rust, are light-weight, durable, paint grade, affordable and installed with standard woodworking tools and processes.

Available Thicknesses Include: 1/4", 1/2", 3/4" and 1"

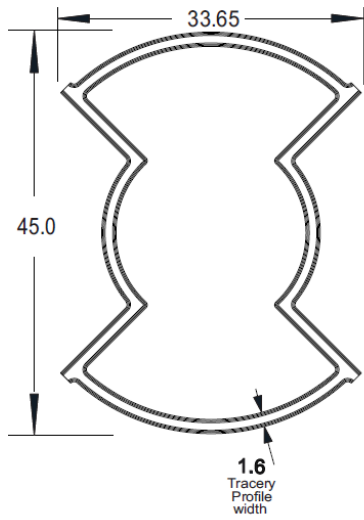




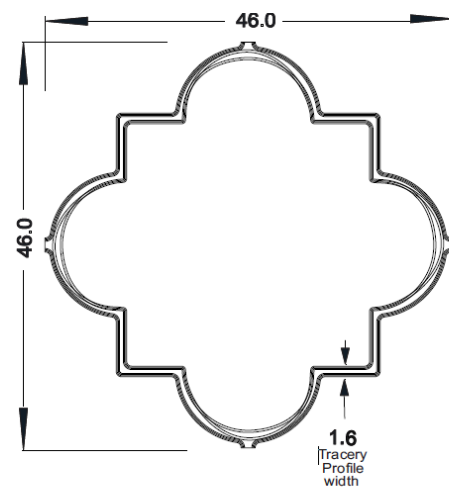
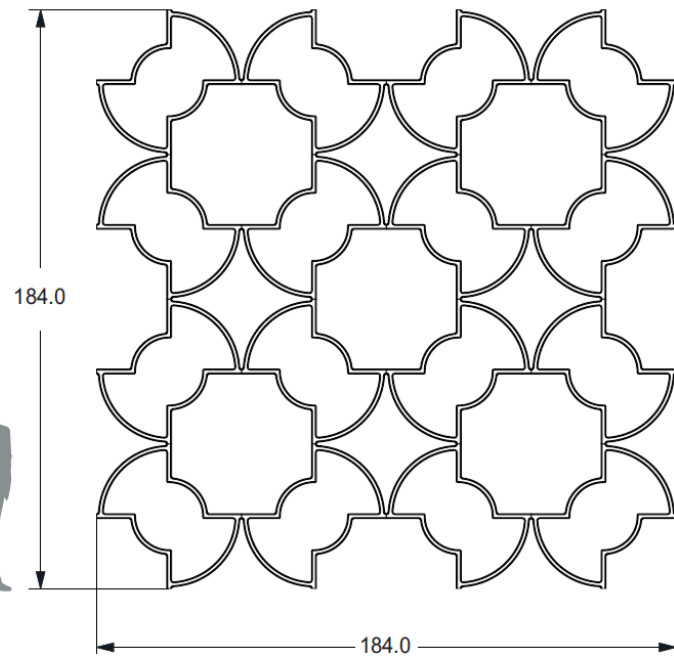


Large Format Tracery Panels

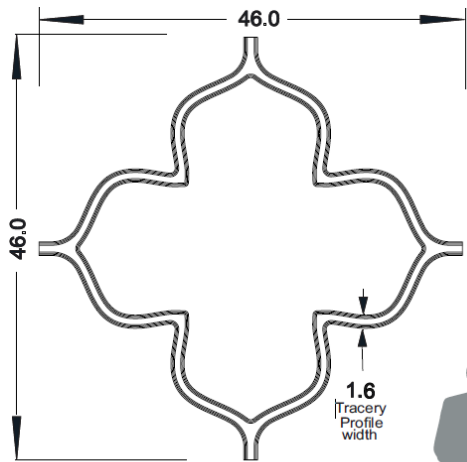
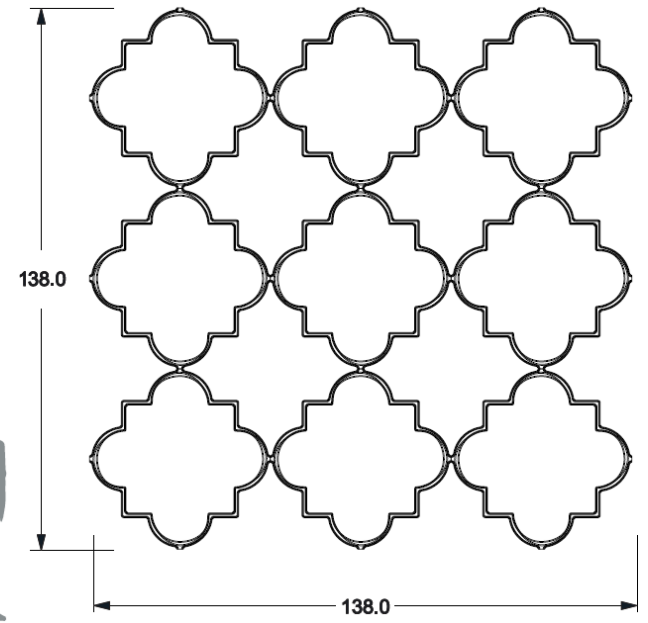
Pattern FP88



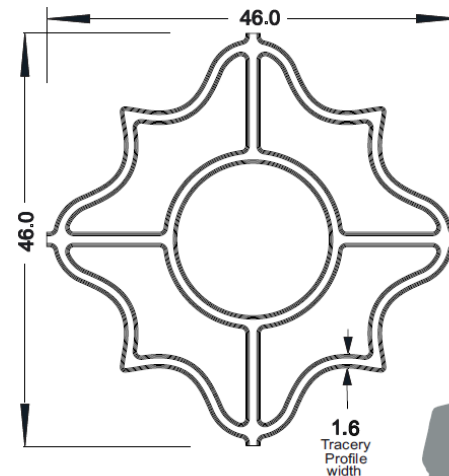
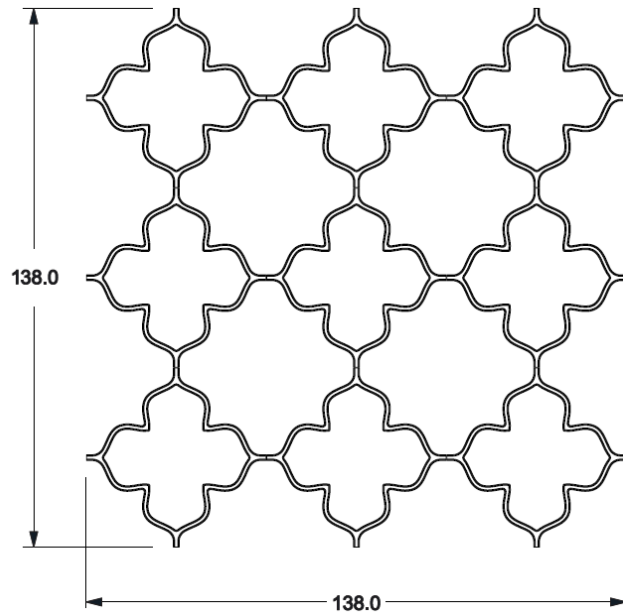
Pattern FP80



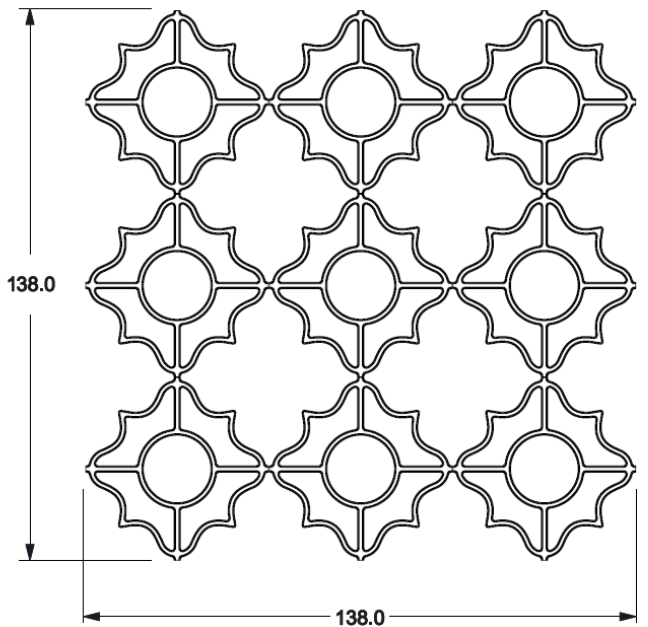
Pattern FP81



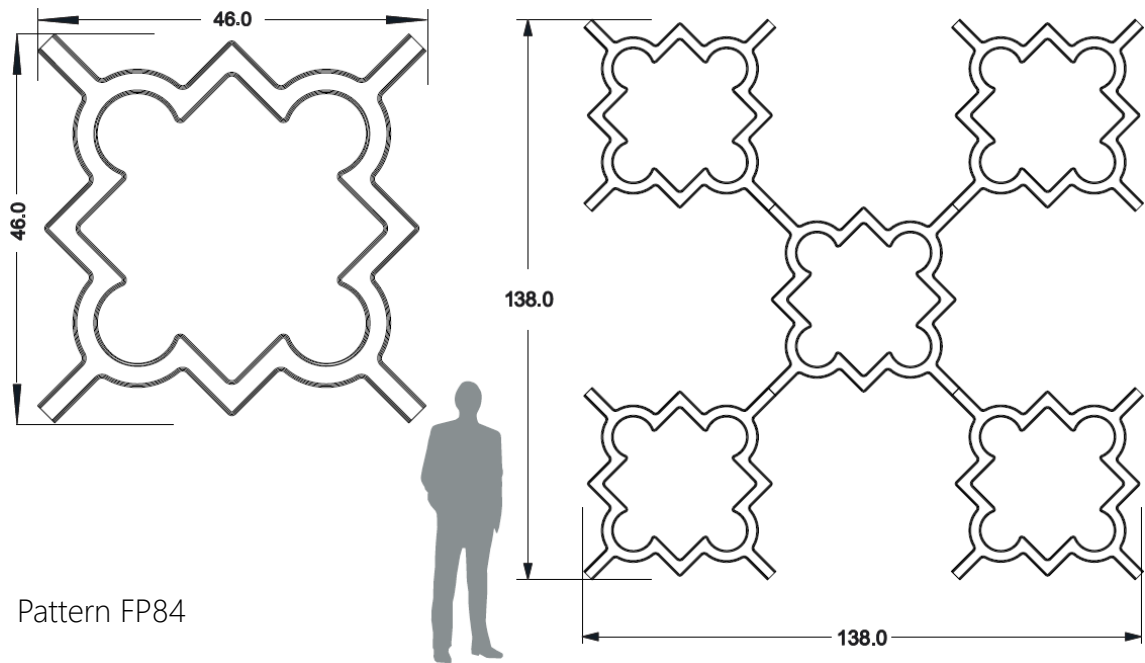
Pattern FP82



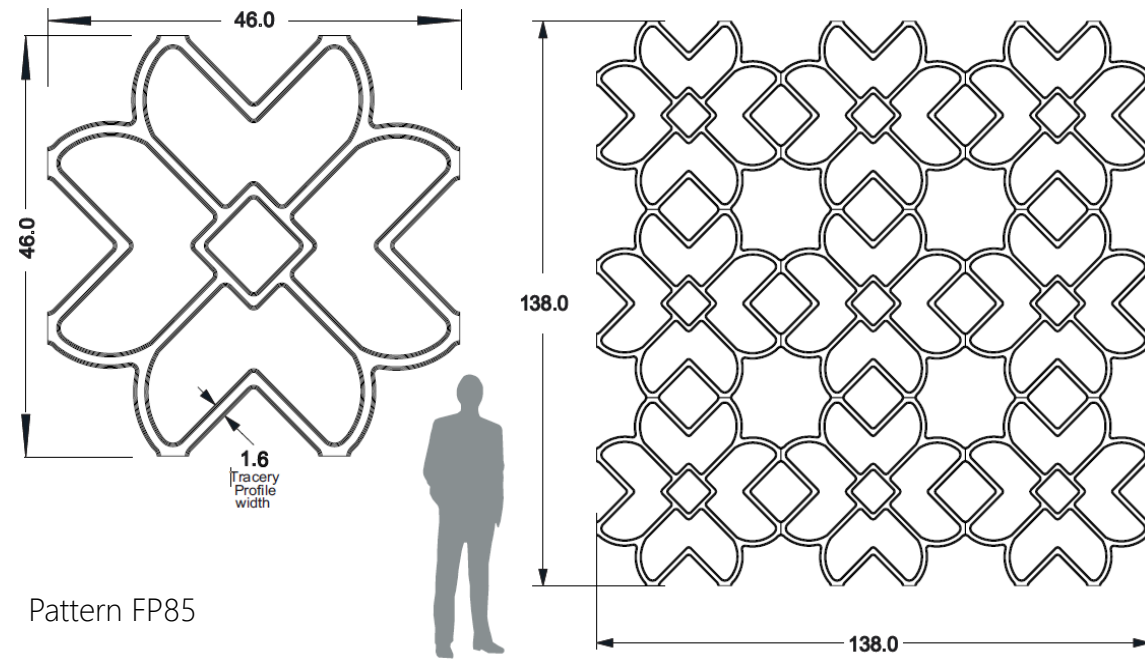
Pattern FP83



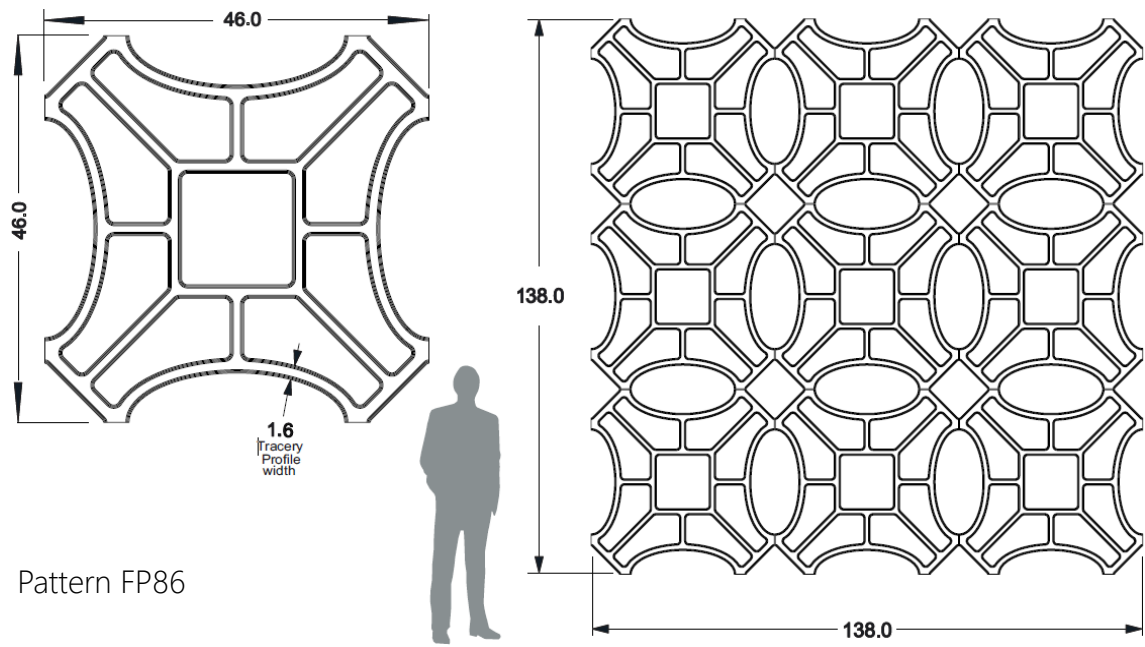




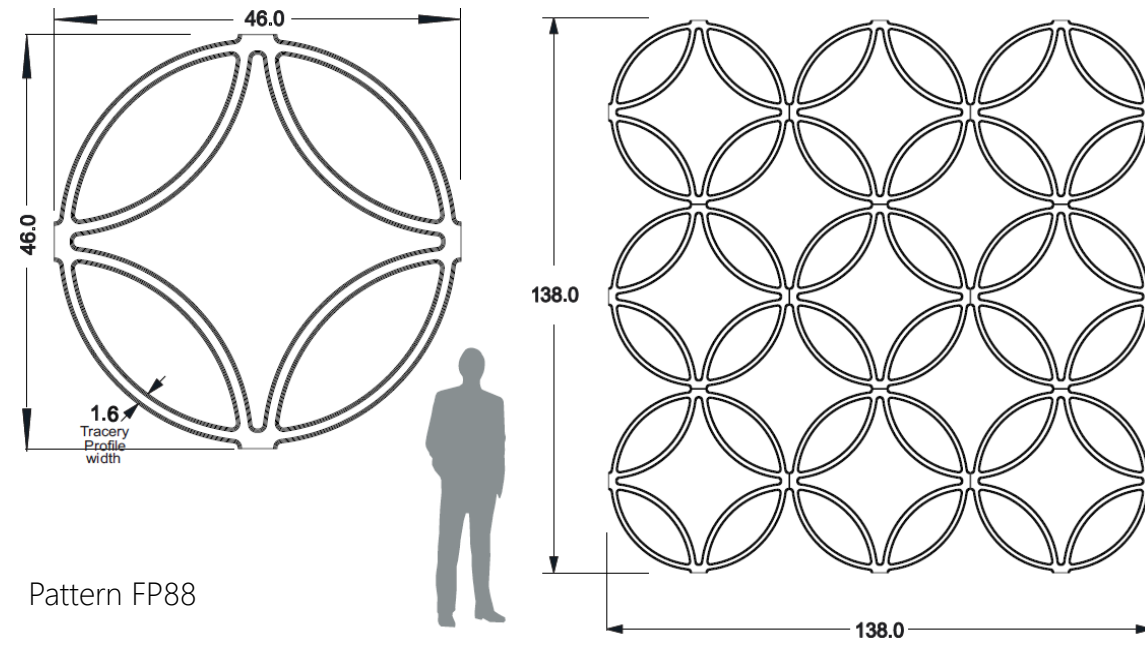
Pattern FP84



Pattern FP85

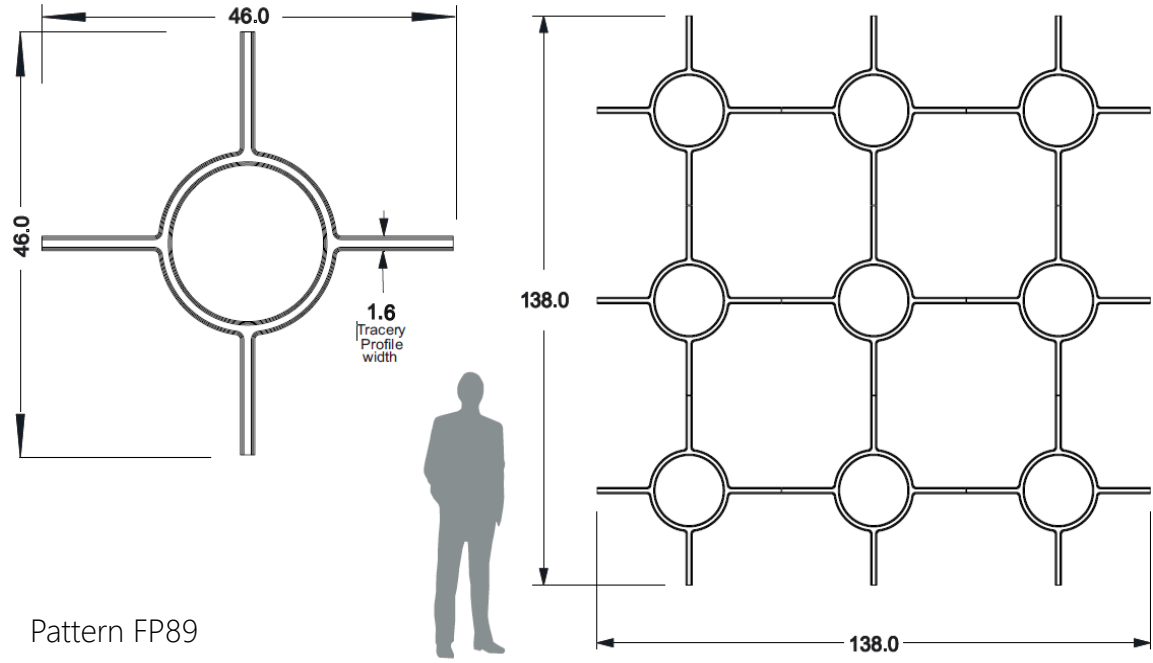


Pattern FP86

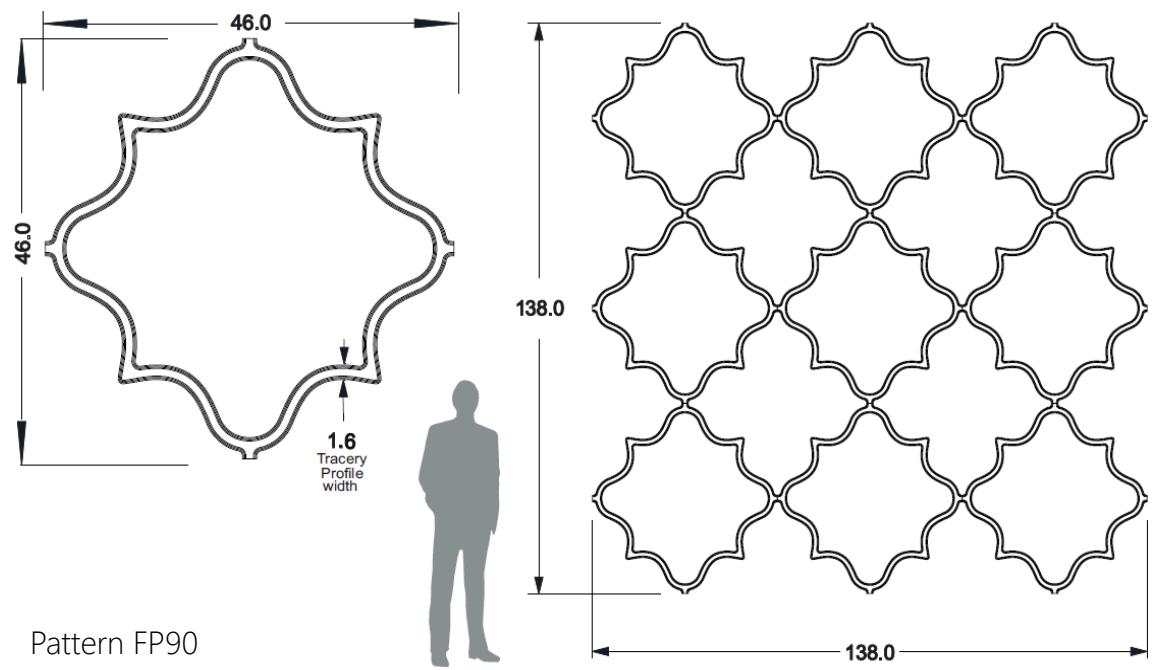


Pattern FP88





Pattern FP89



Pattern FP90



Pattern FP89

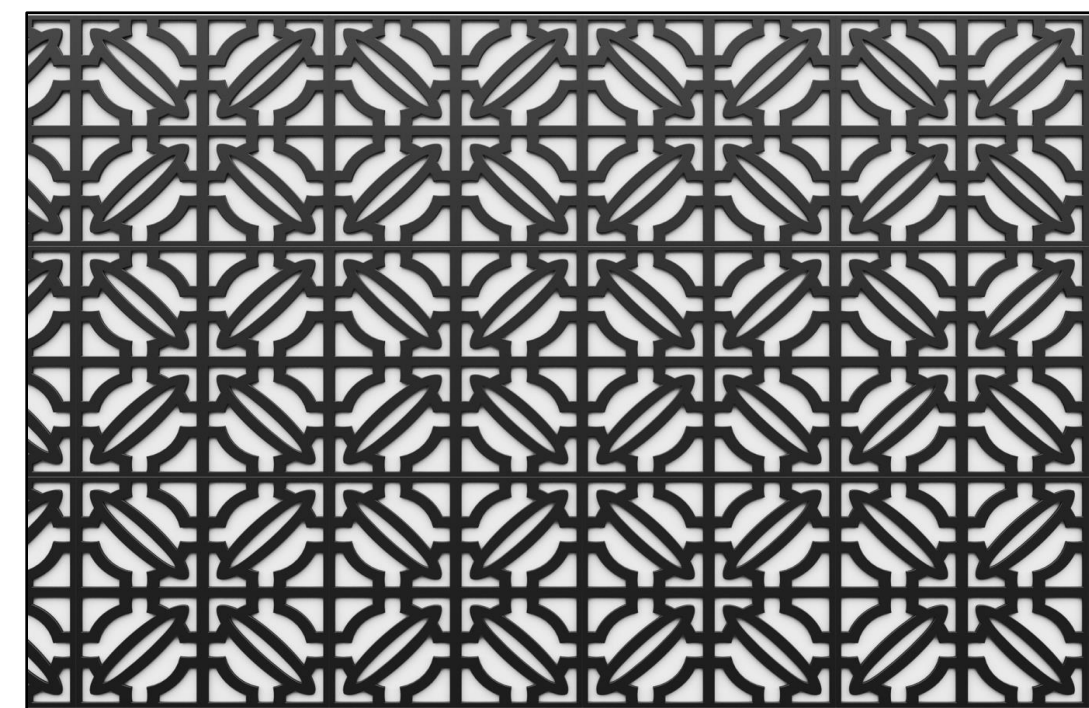
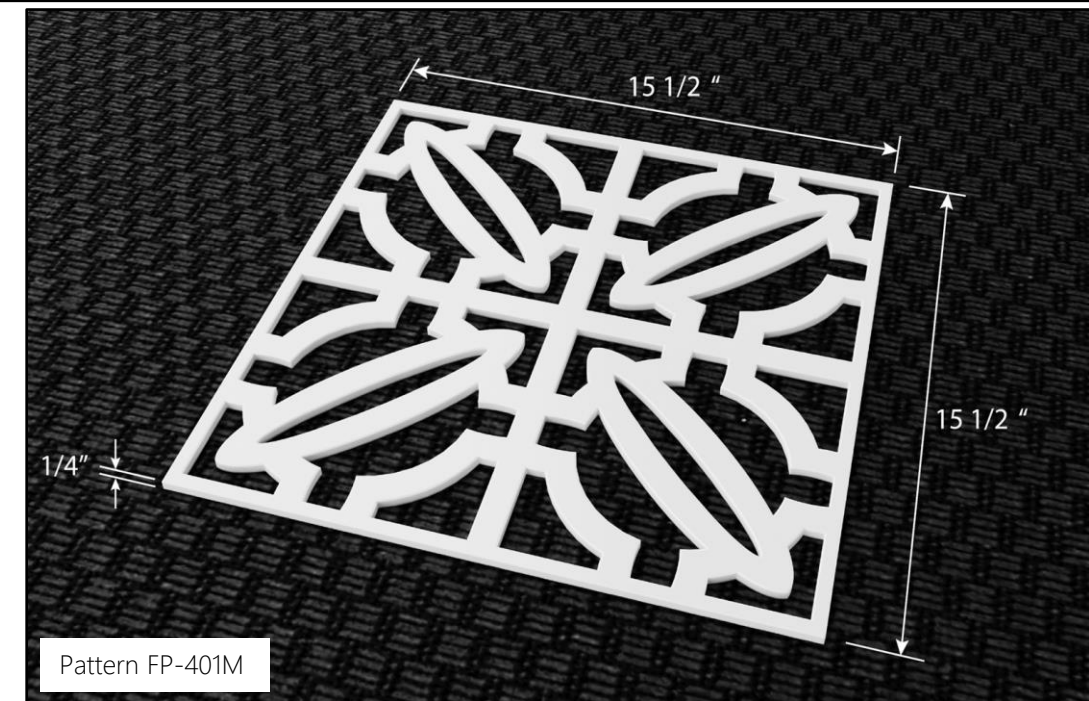




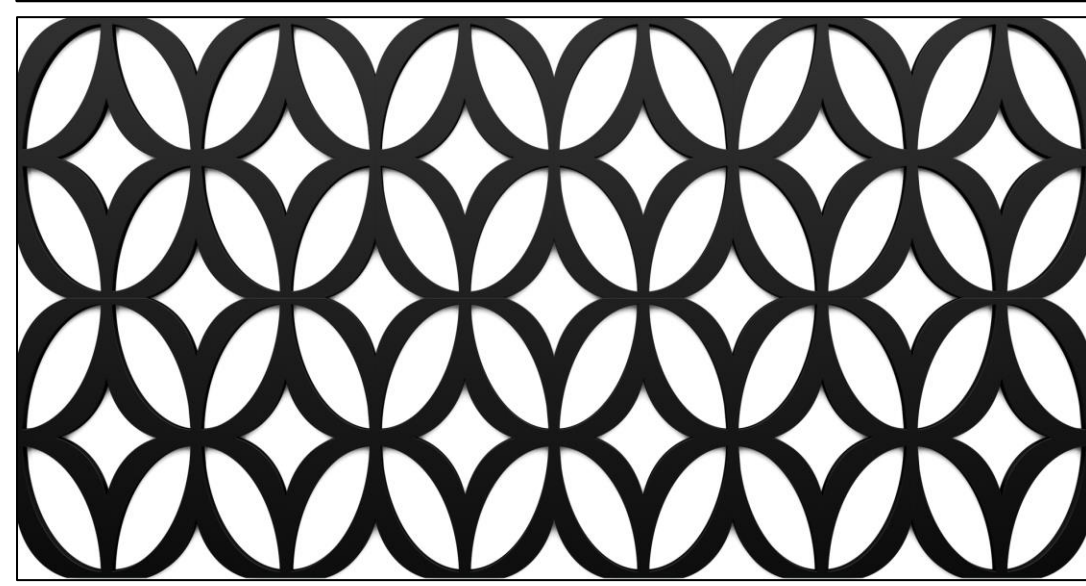
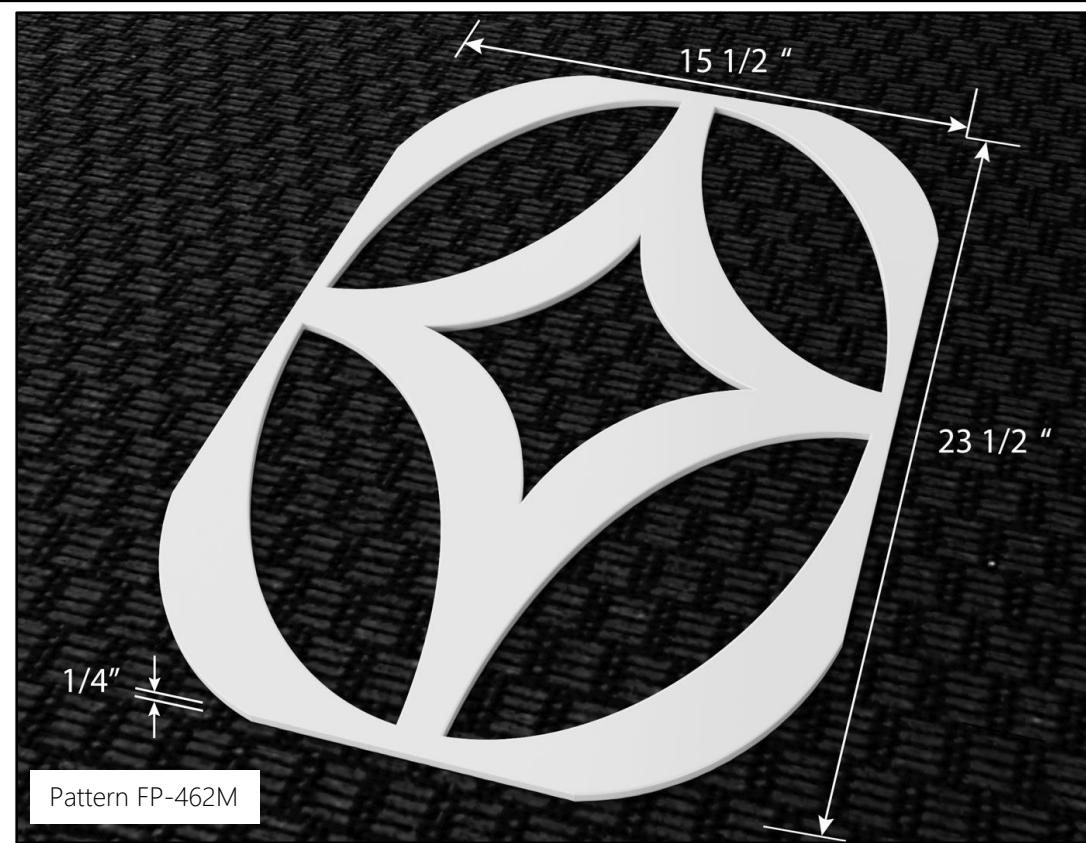
Small Format Tracery Panels

Pattern FP401M

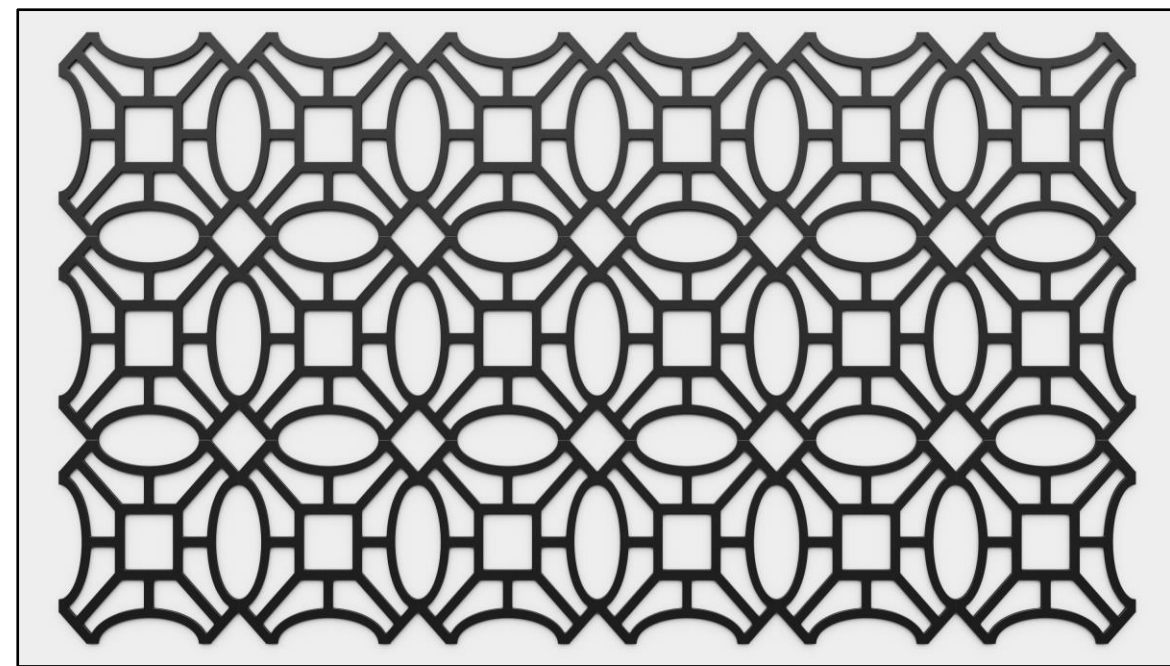
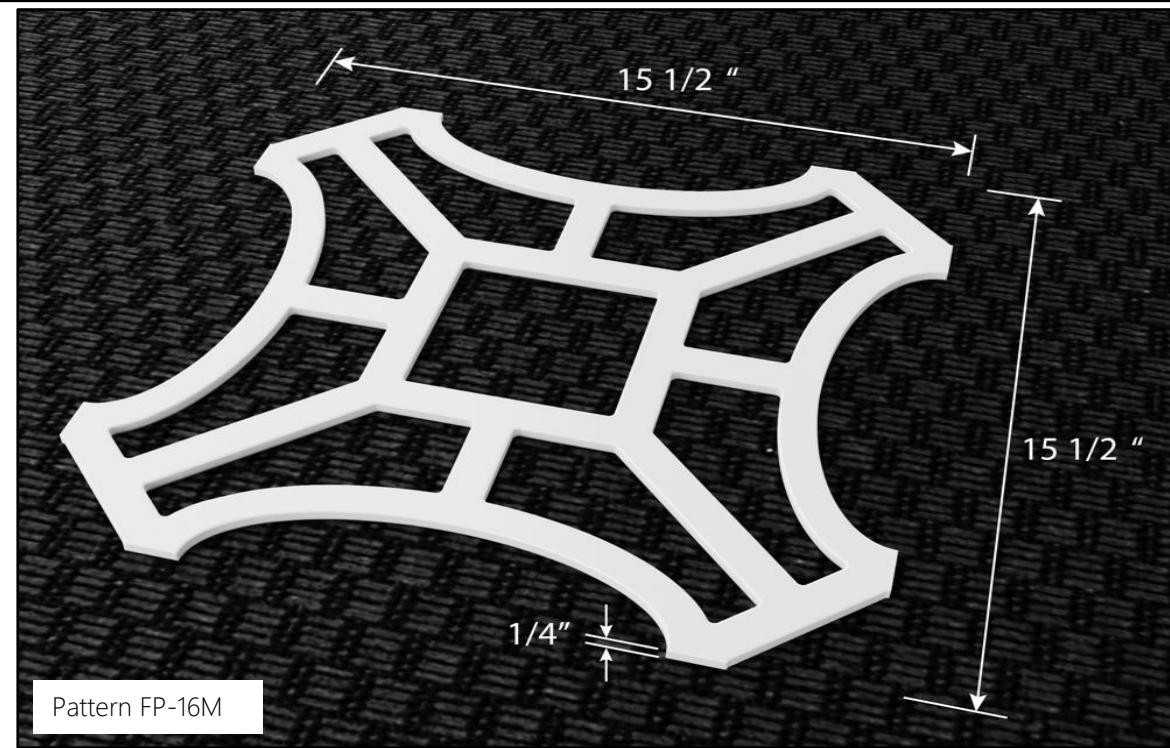


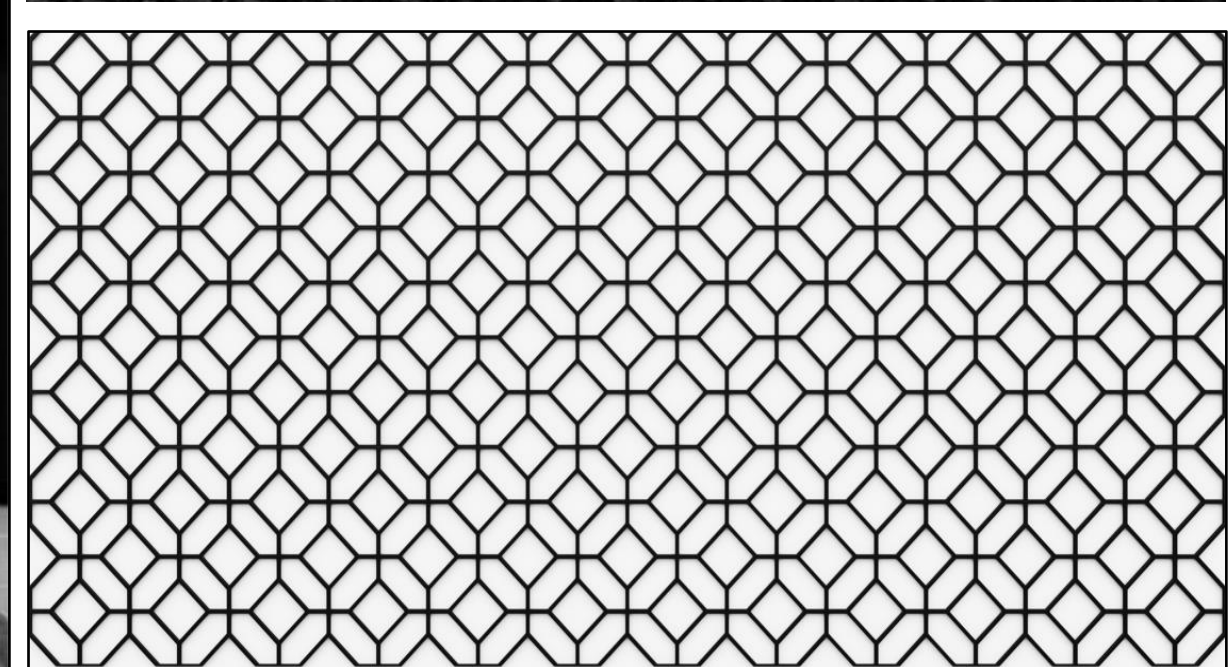
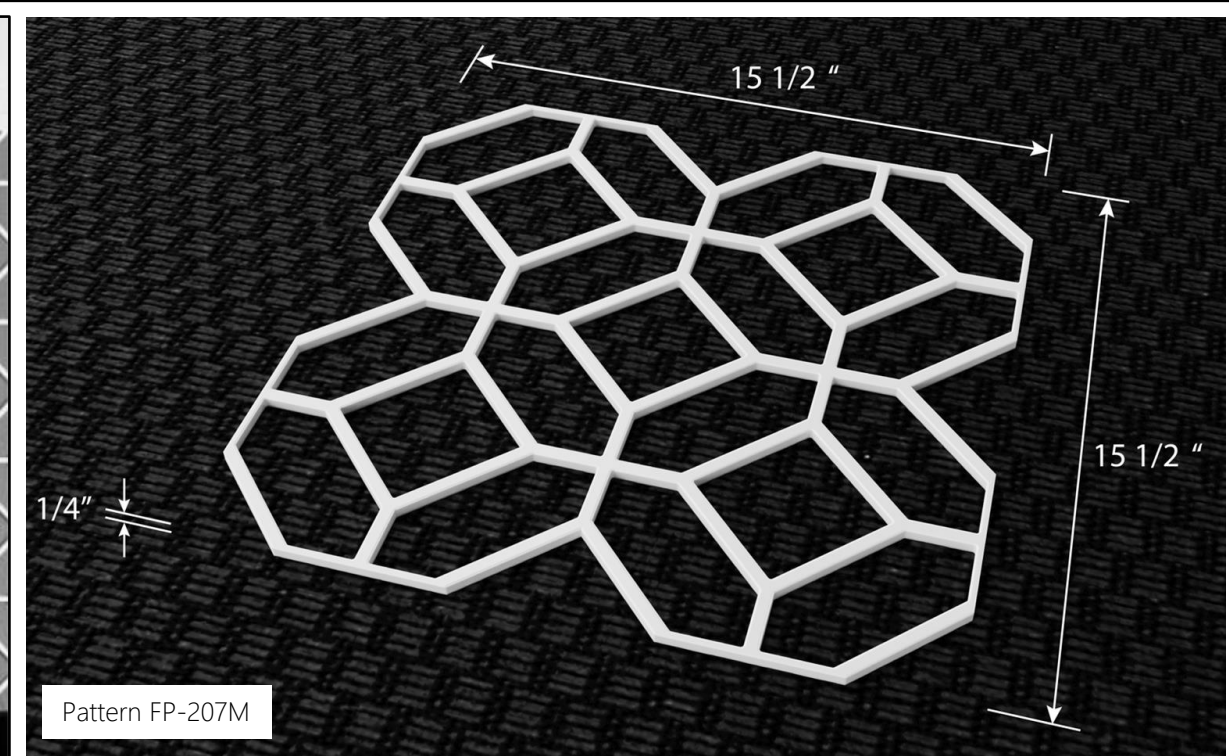




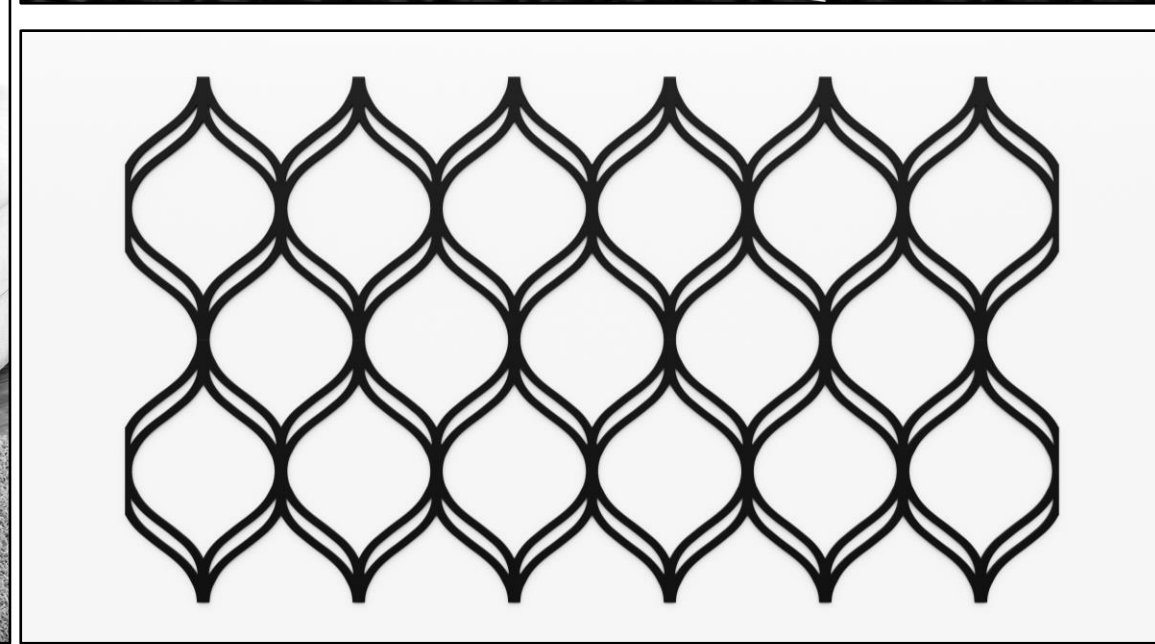
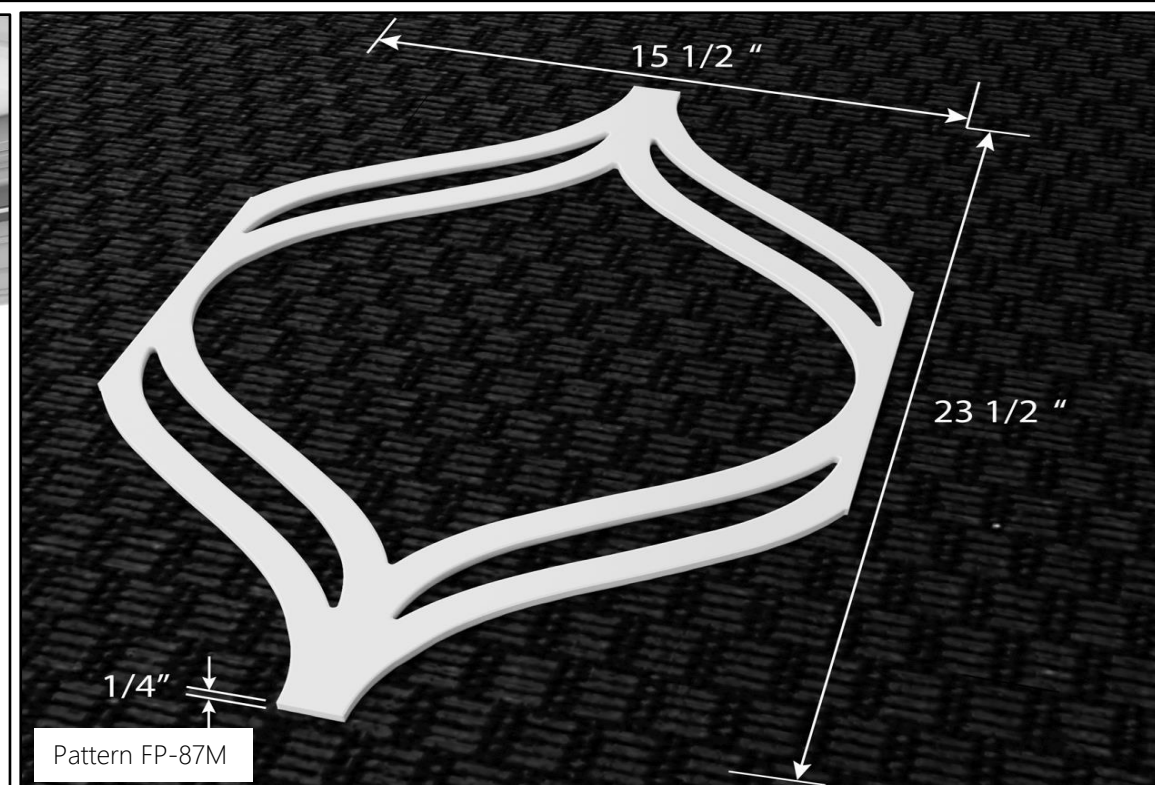


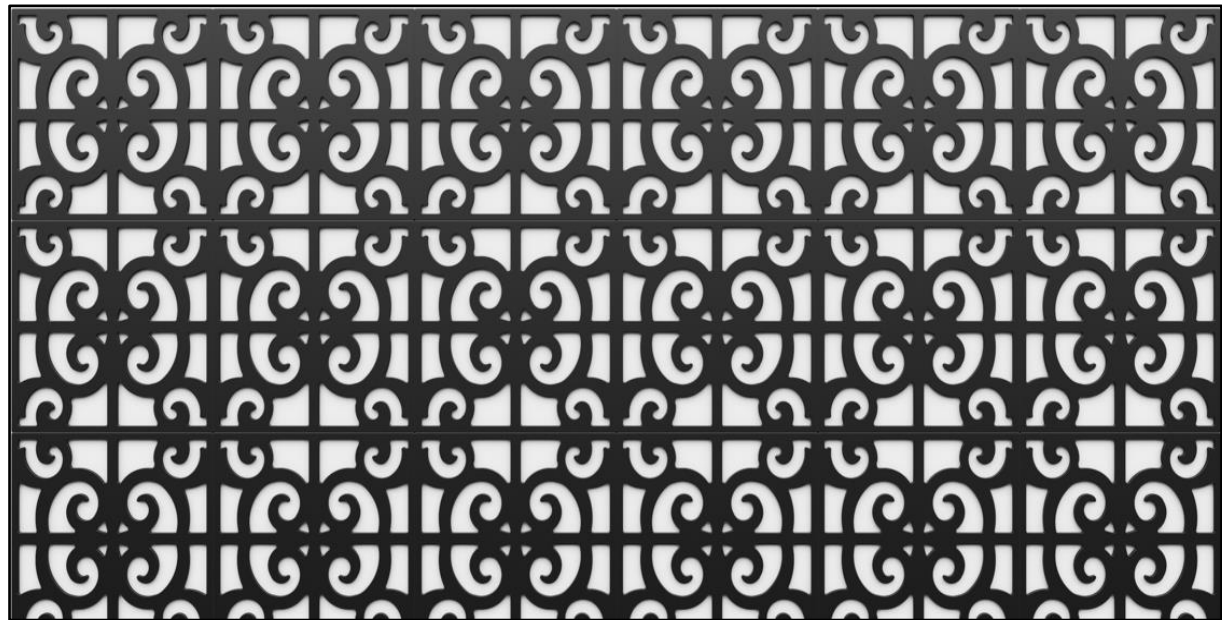
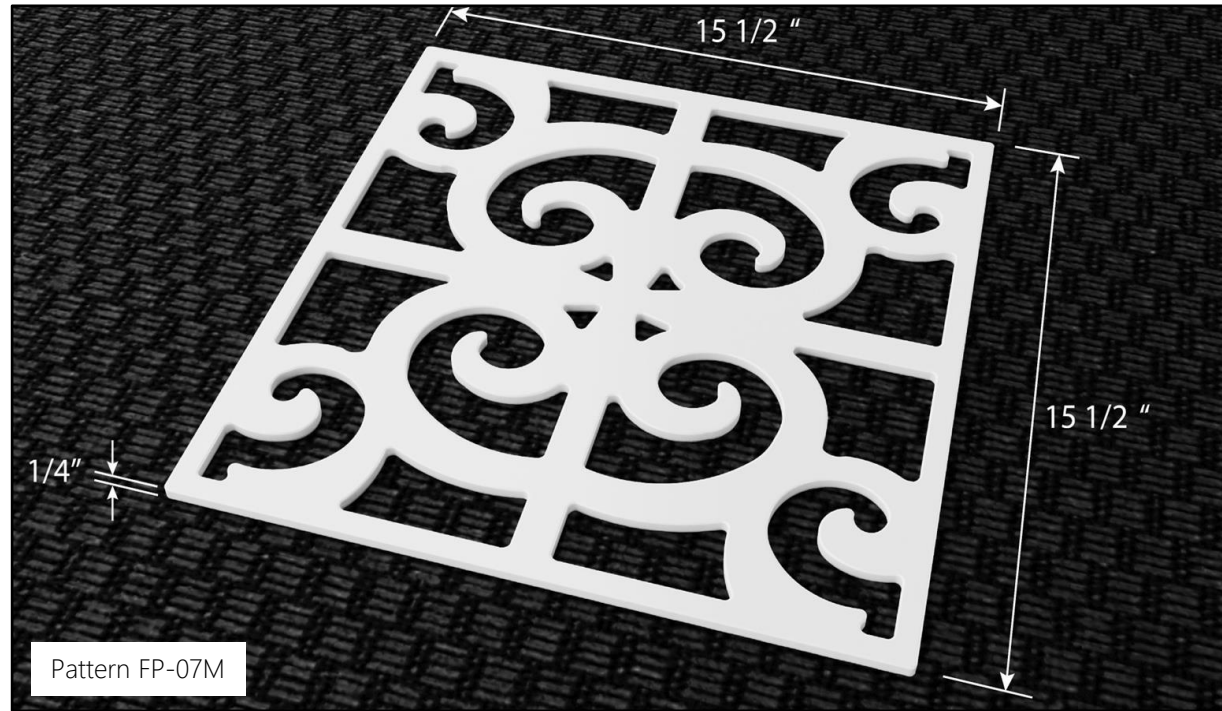






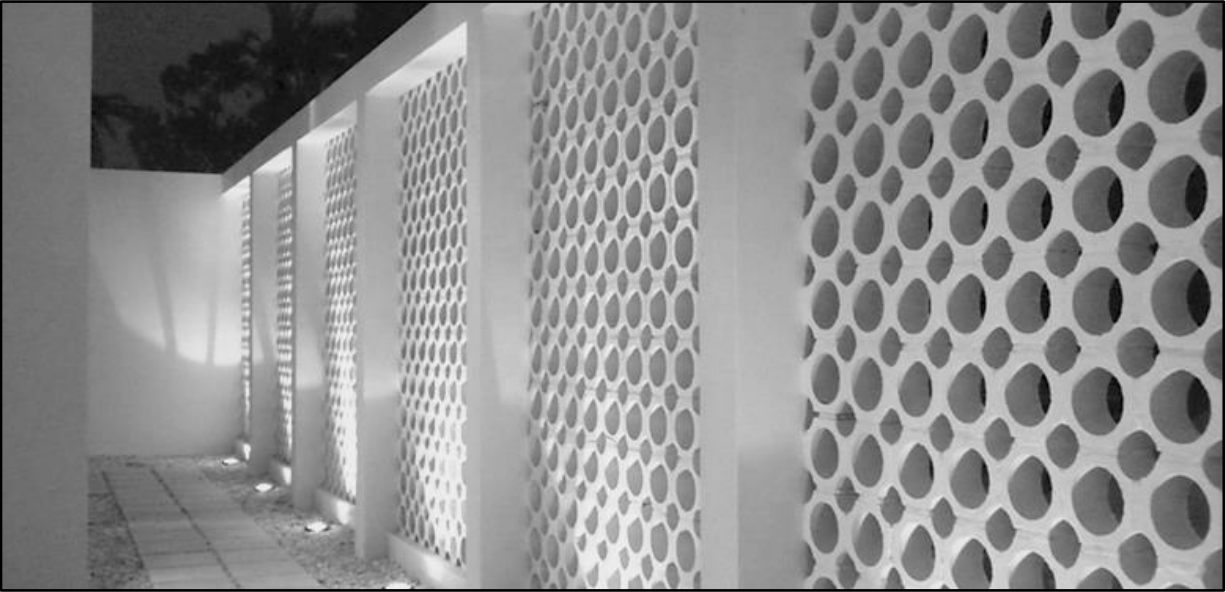


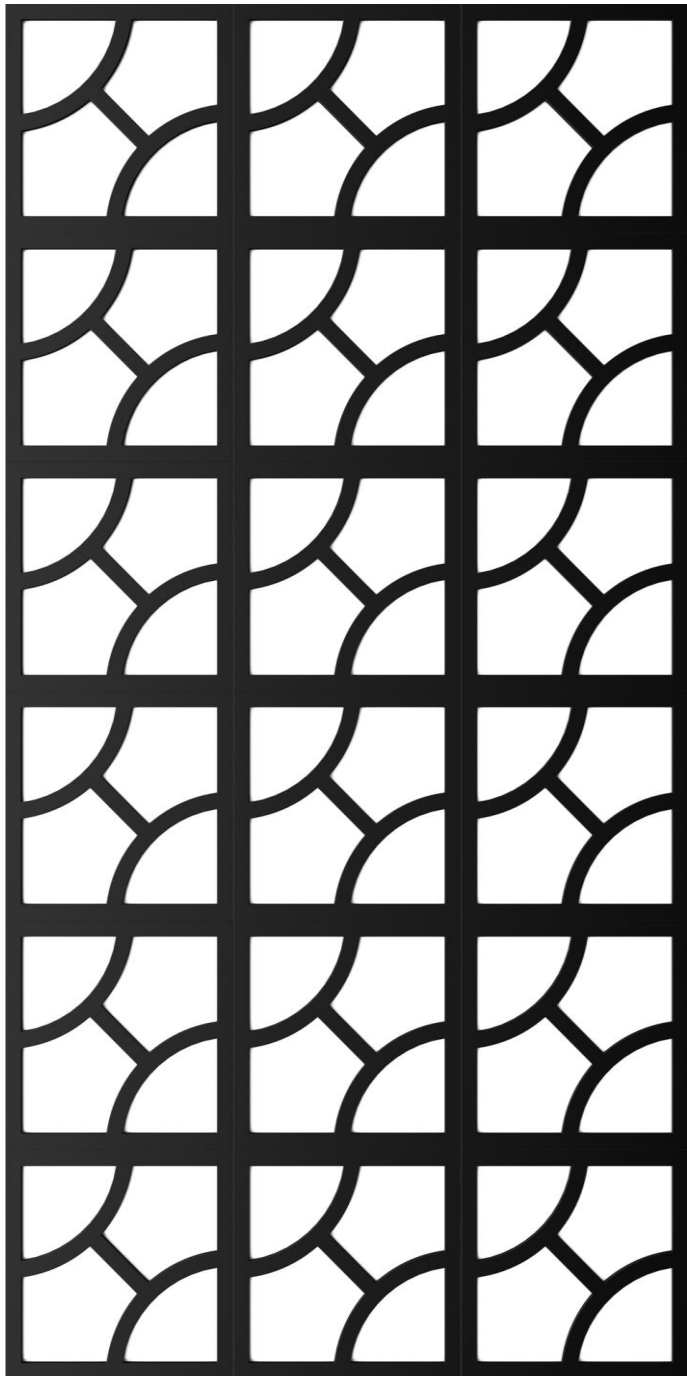
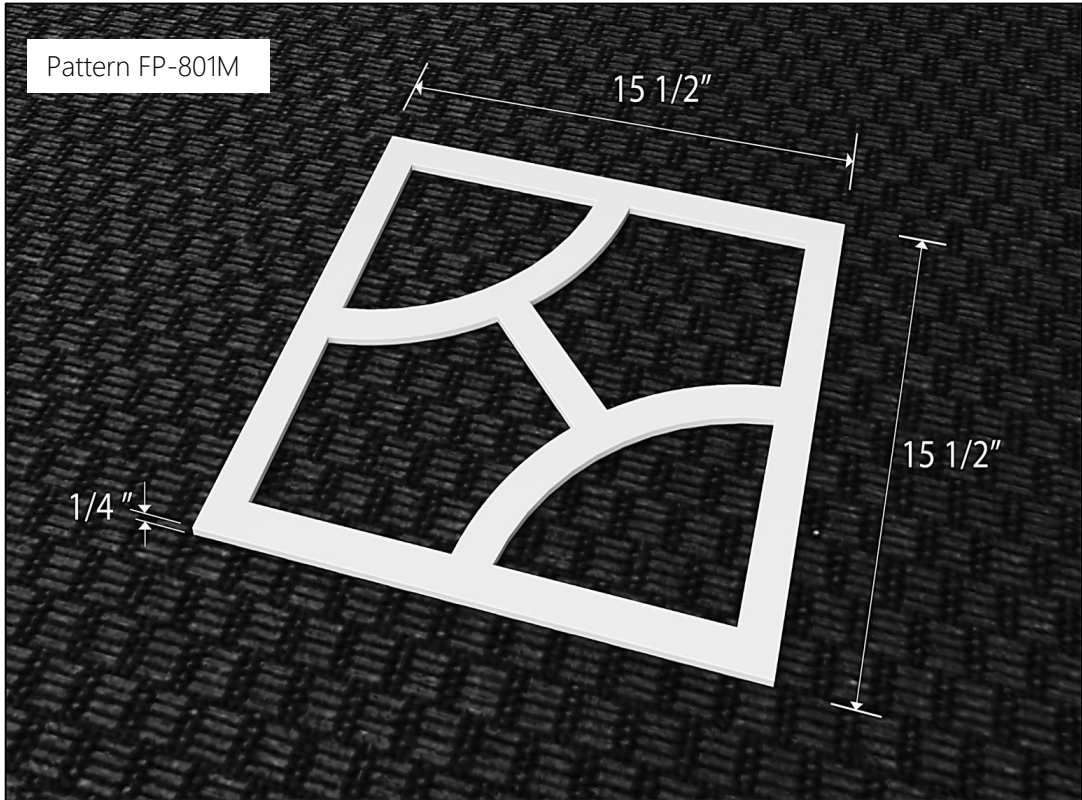
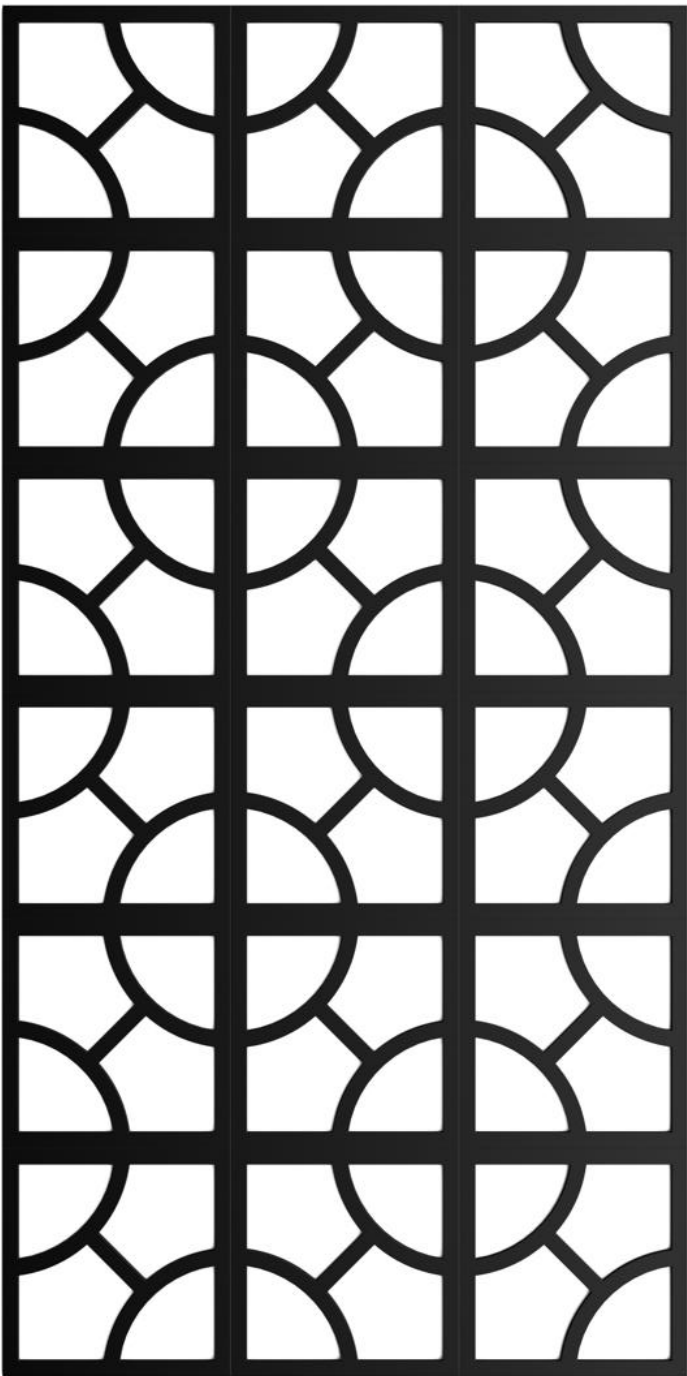






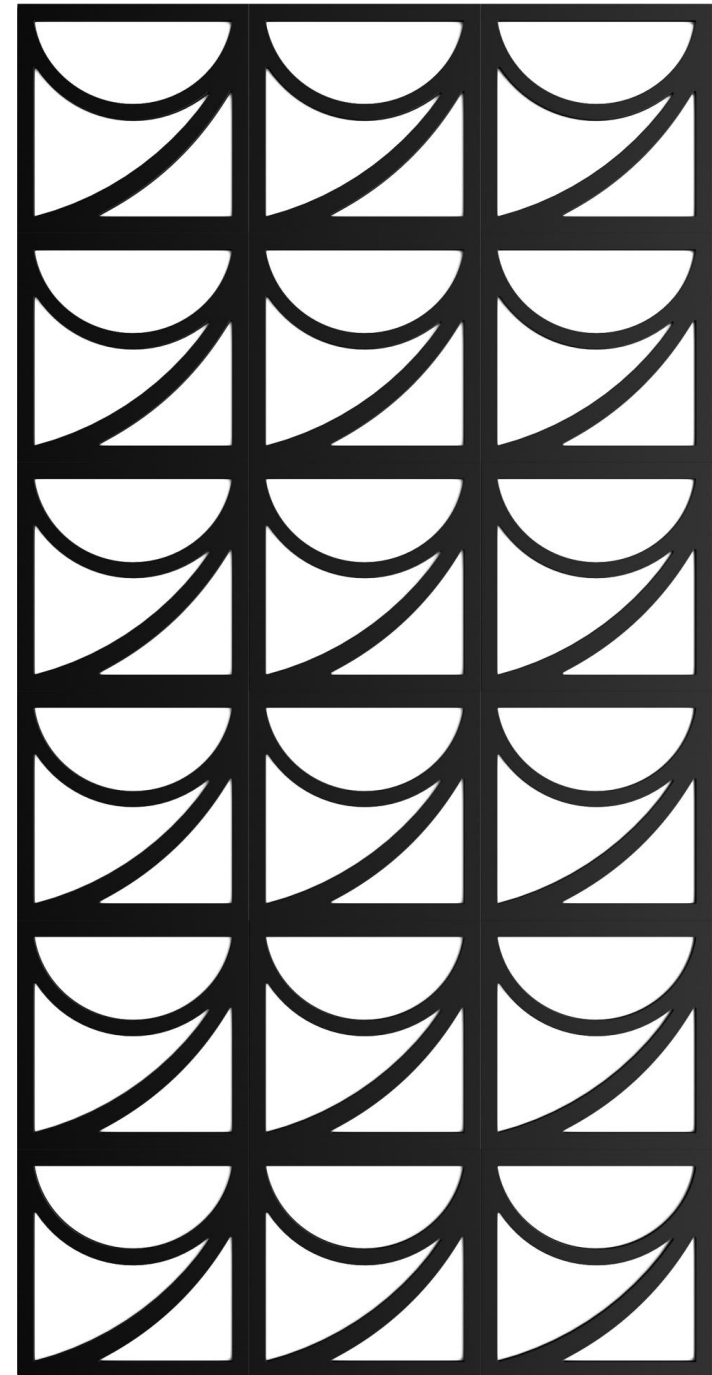
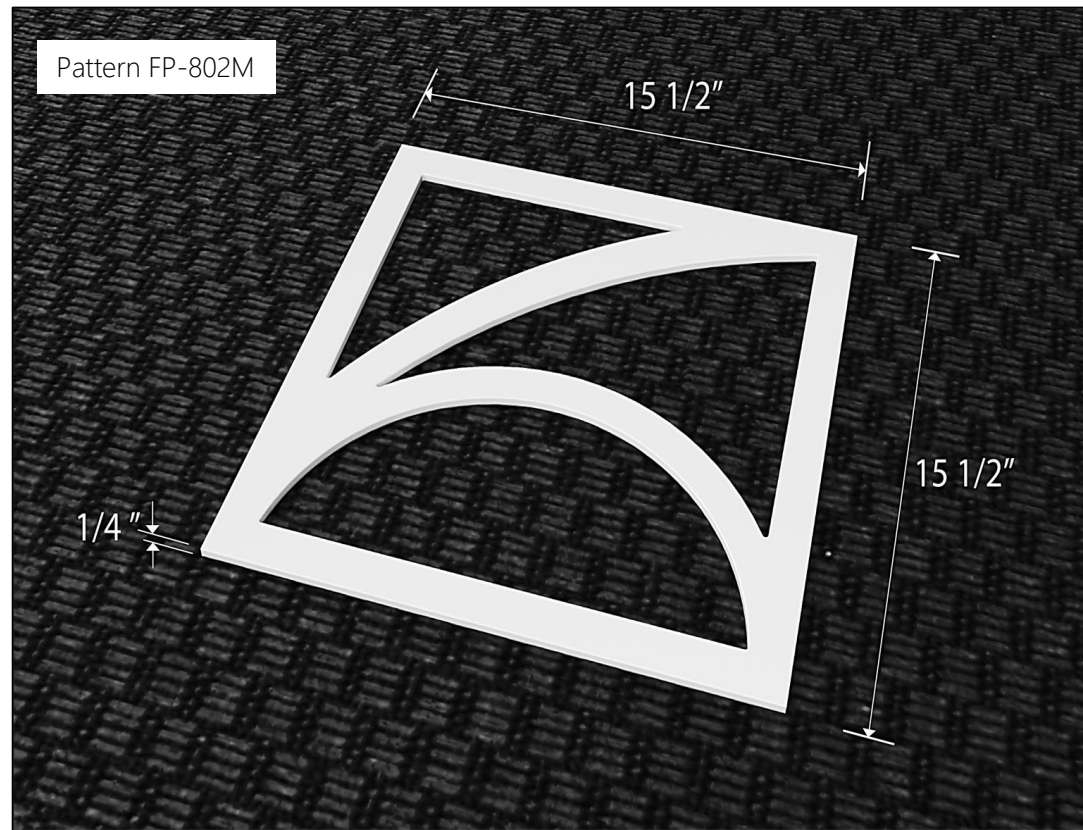
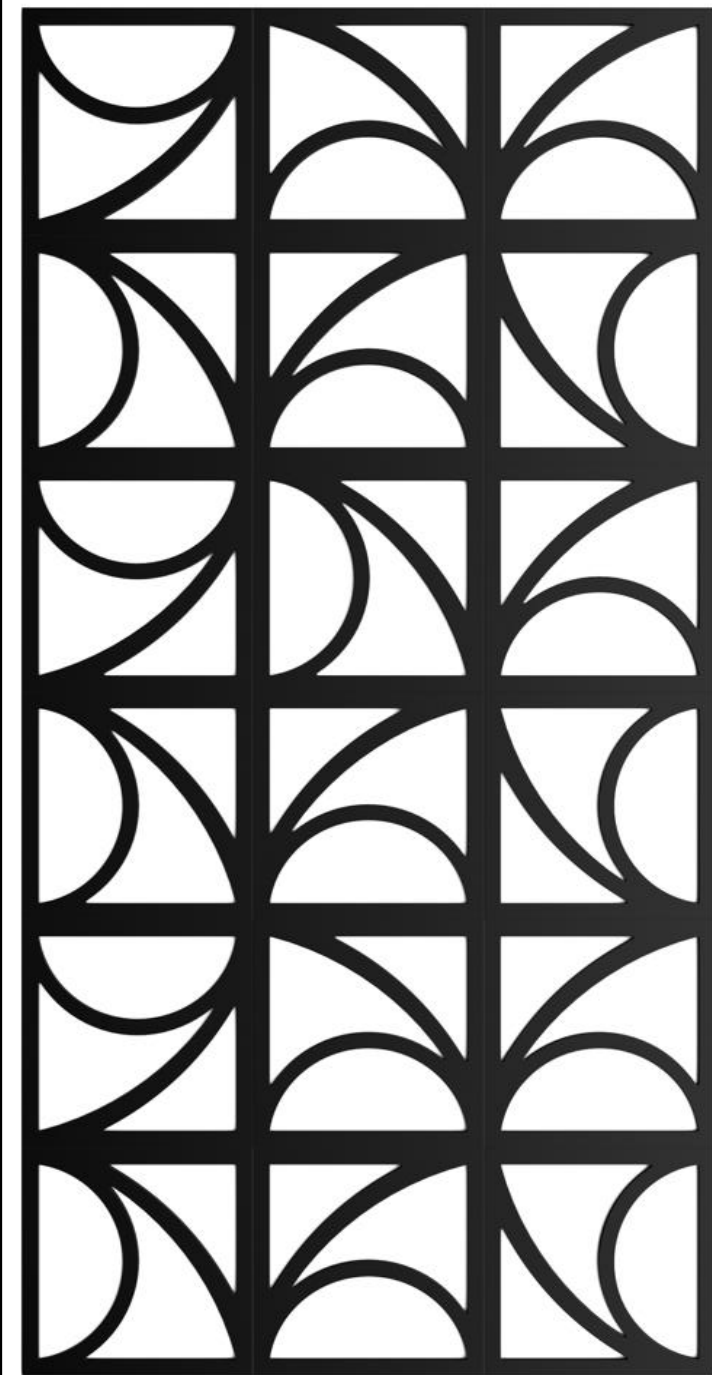
Collection Inspired by Mid Century Modern Breeze Block



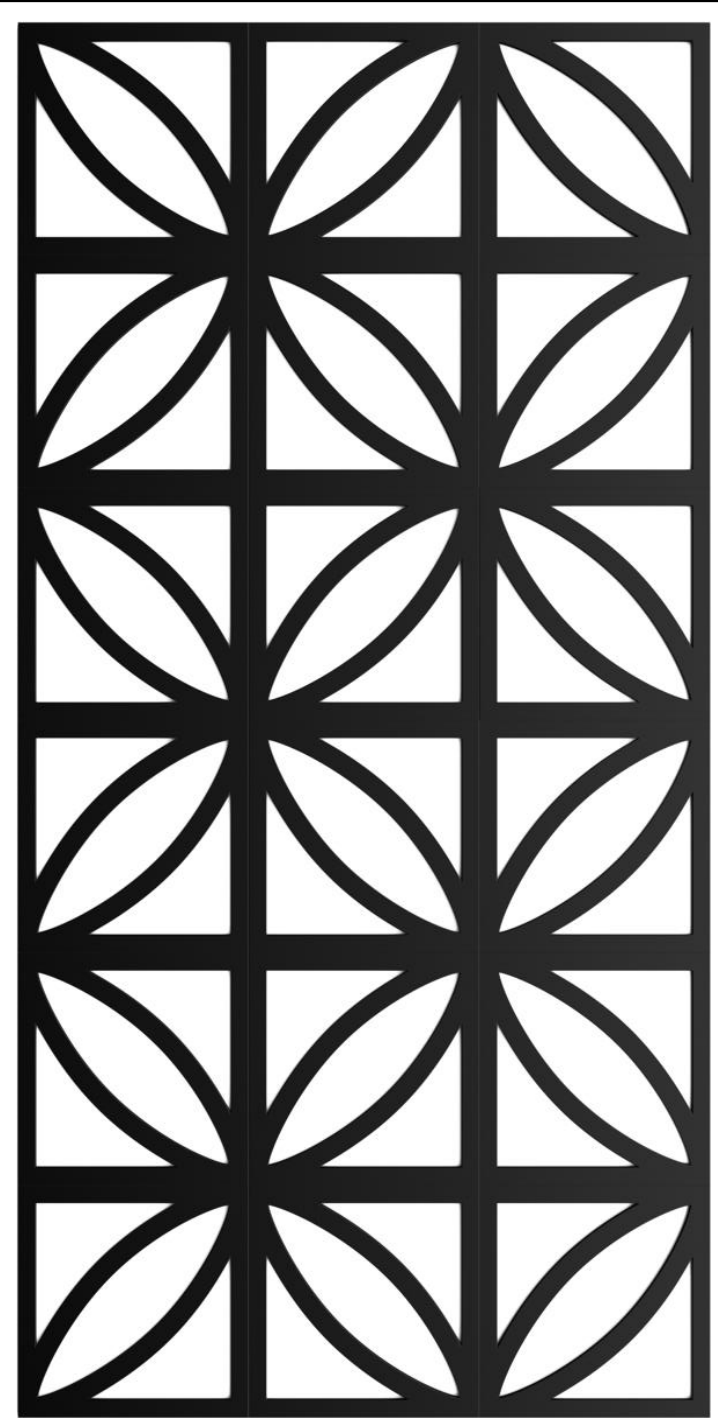
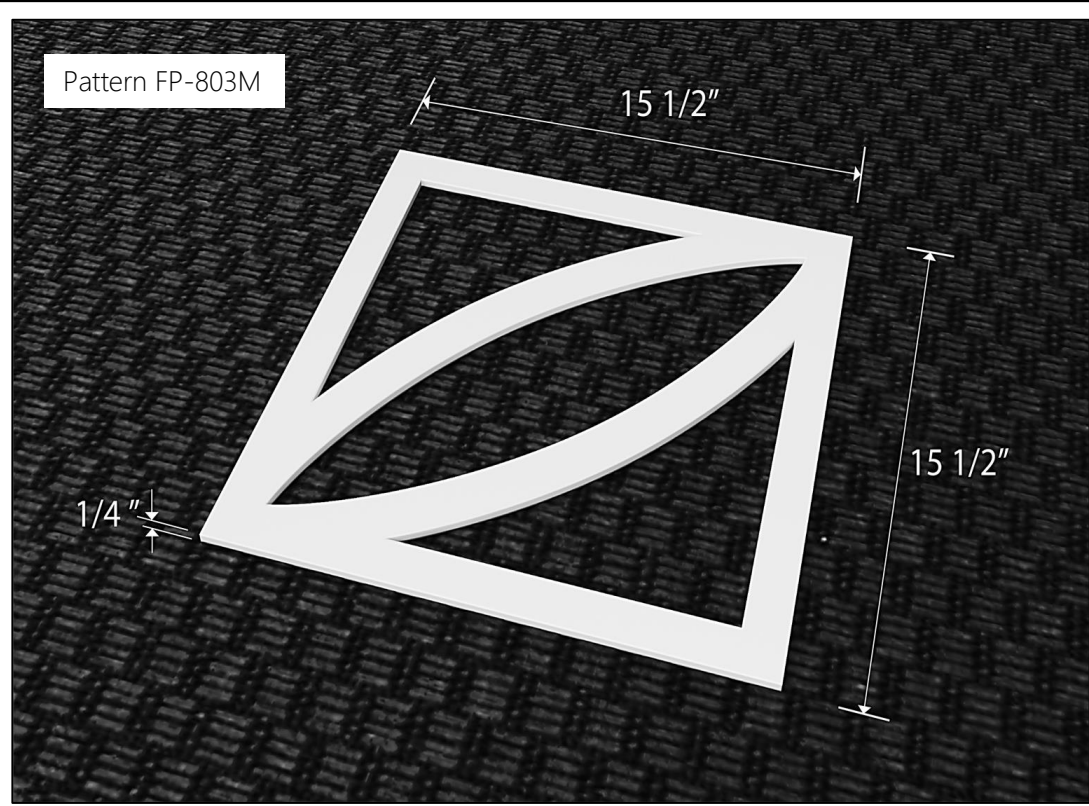
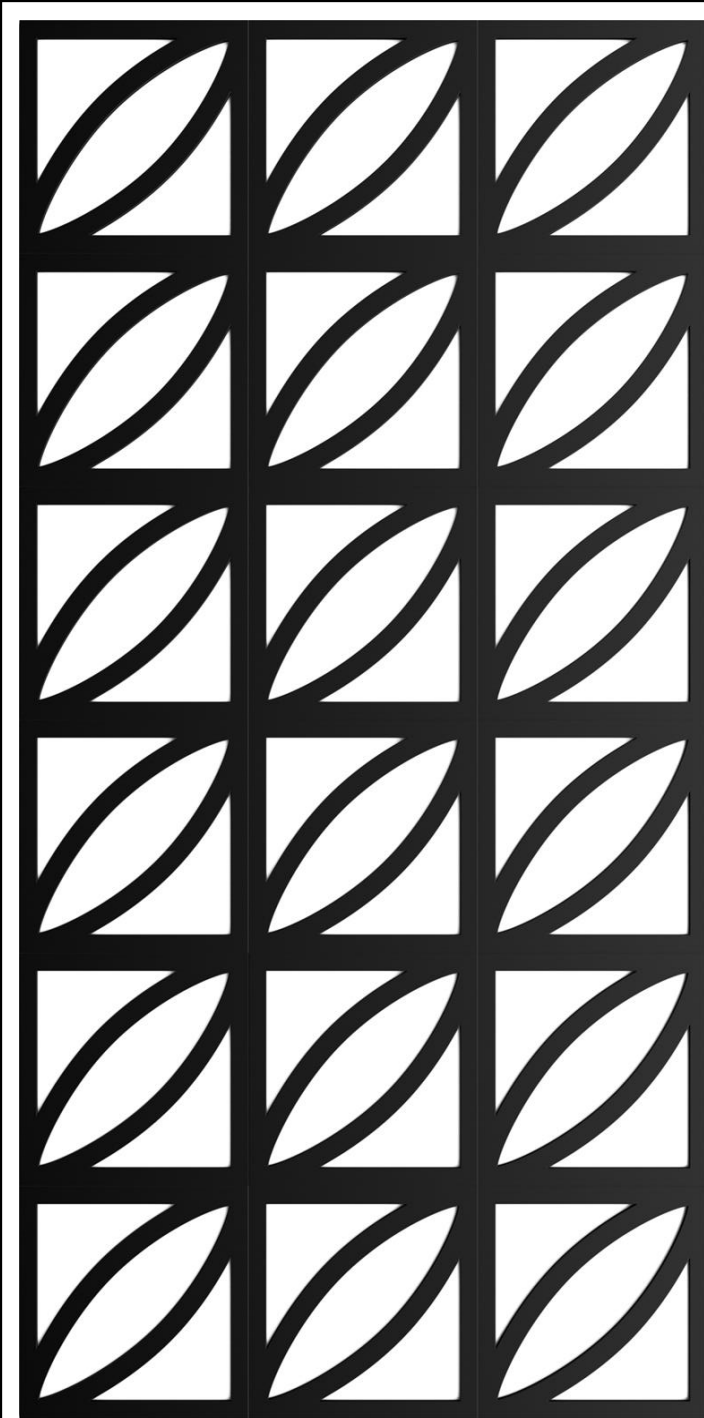


— SAME PATTERN. ALTERNATE LAYOUT. —



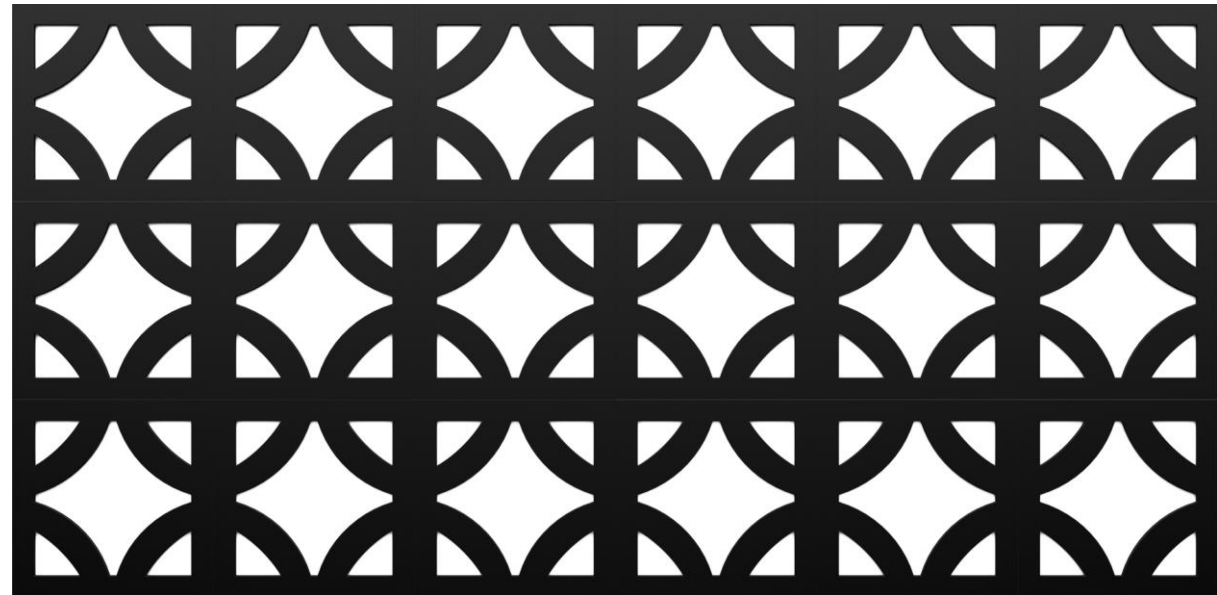
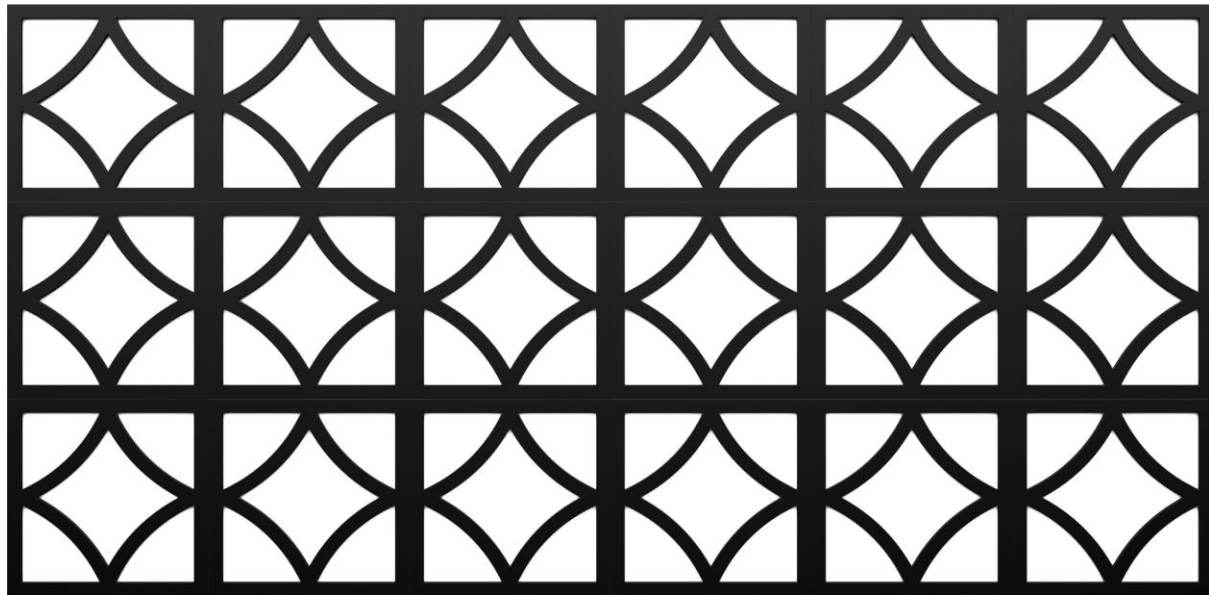
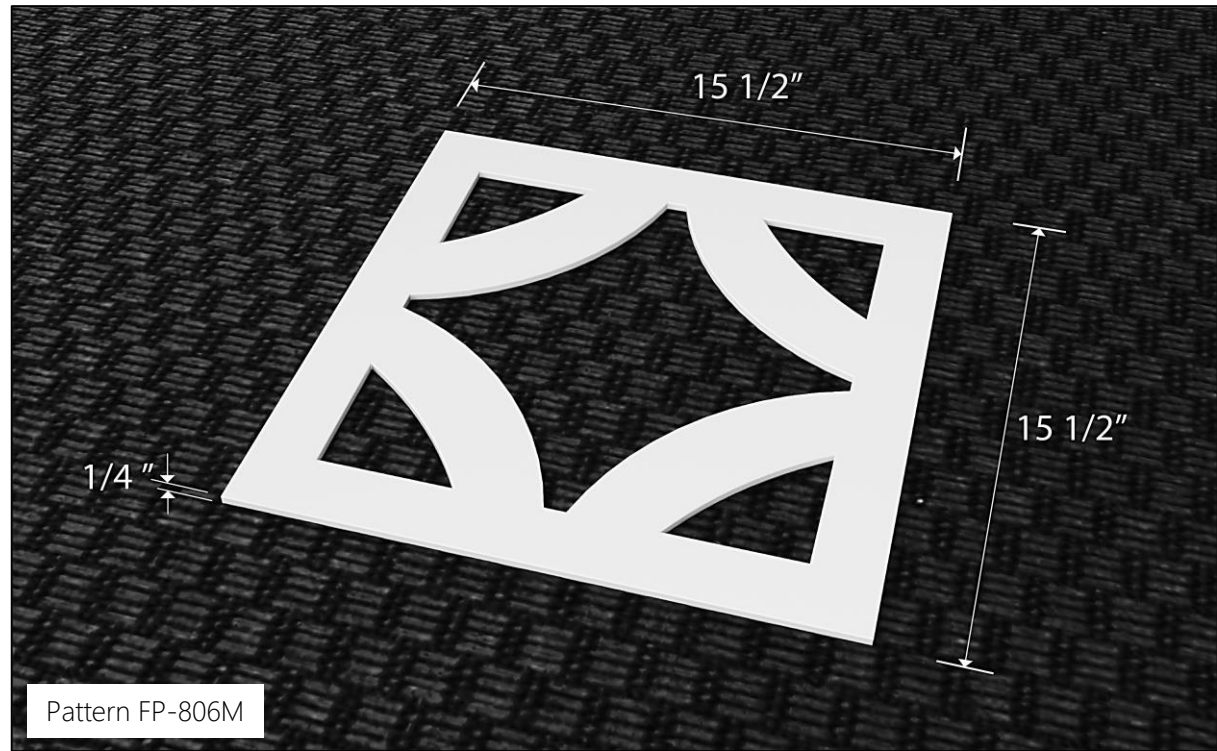
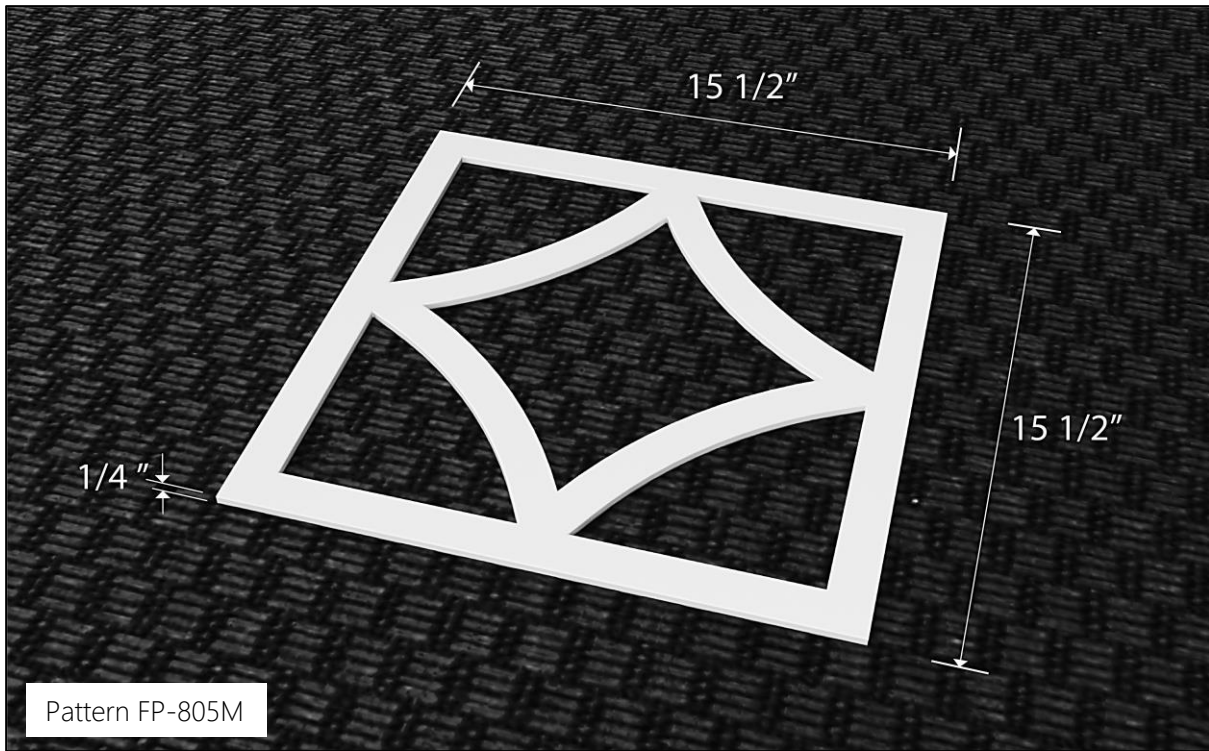


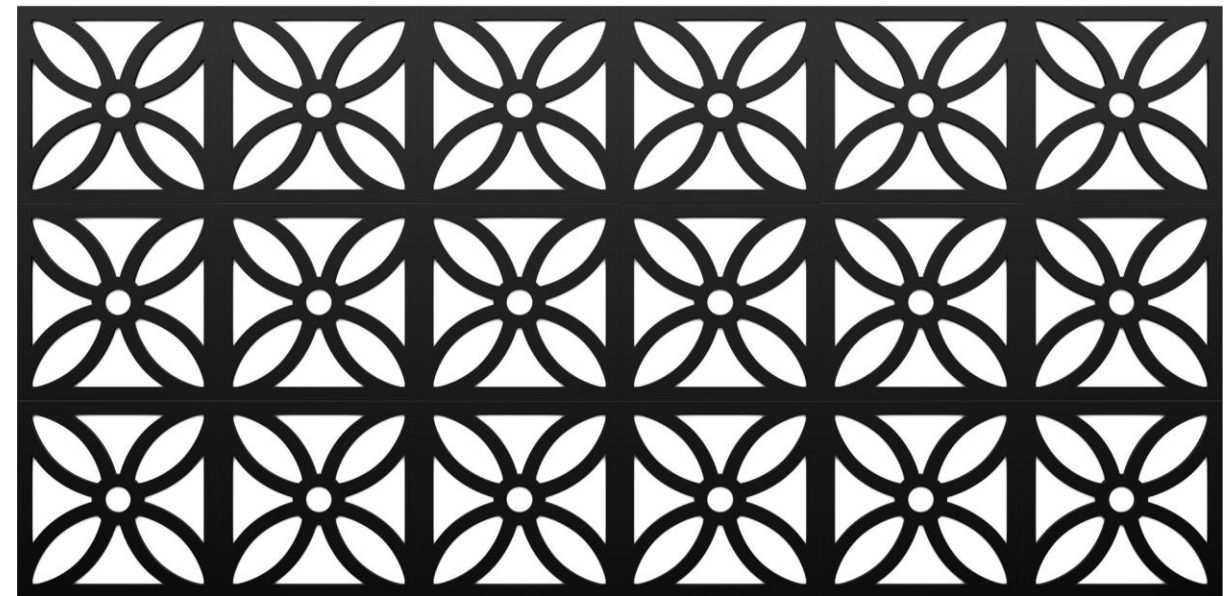
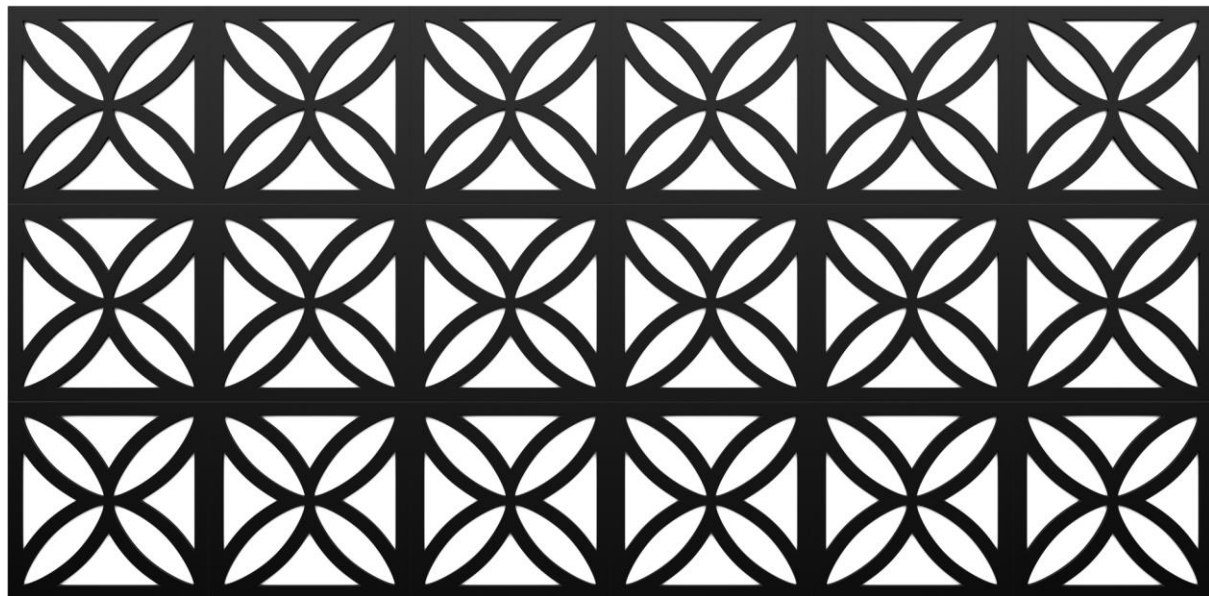
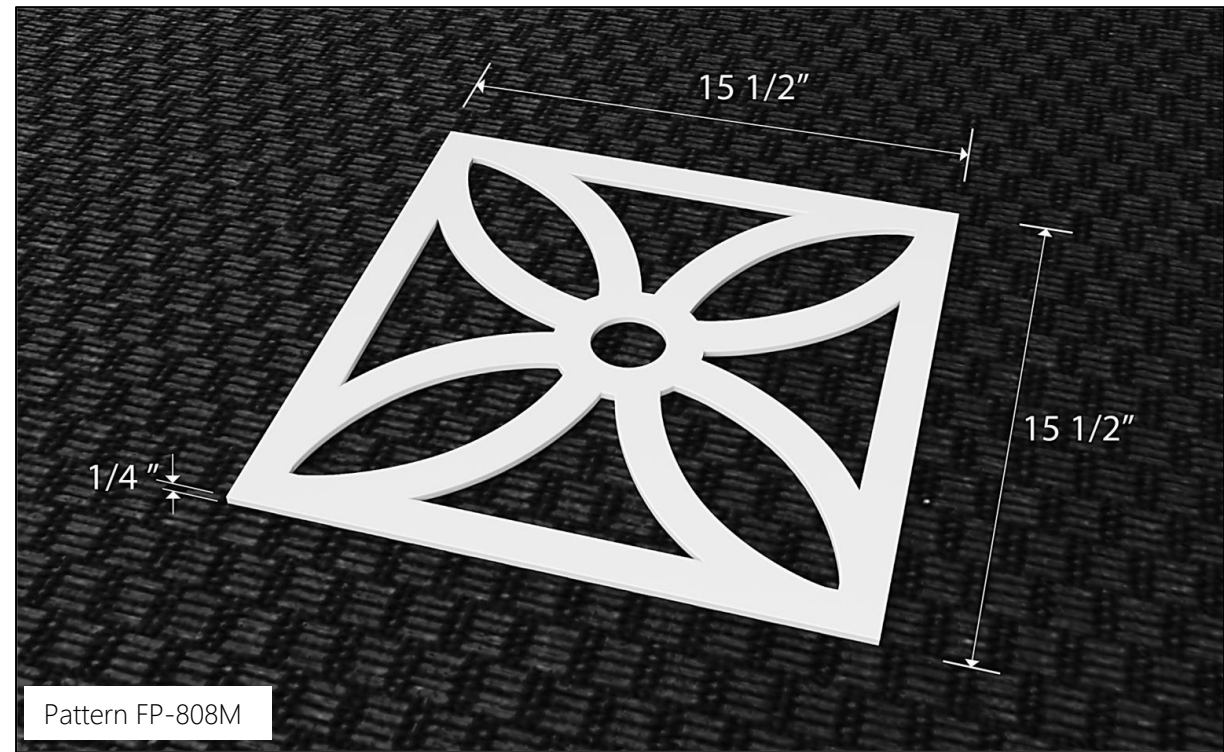
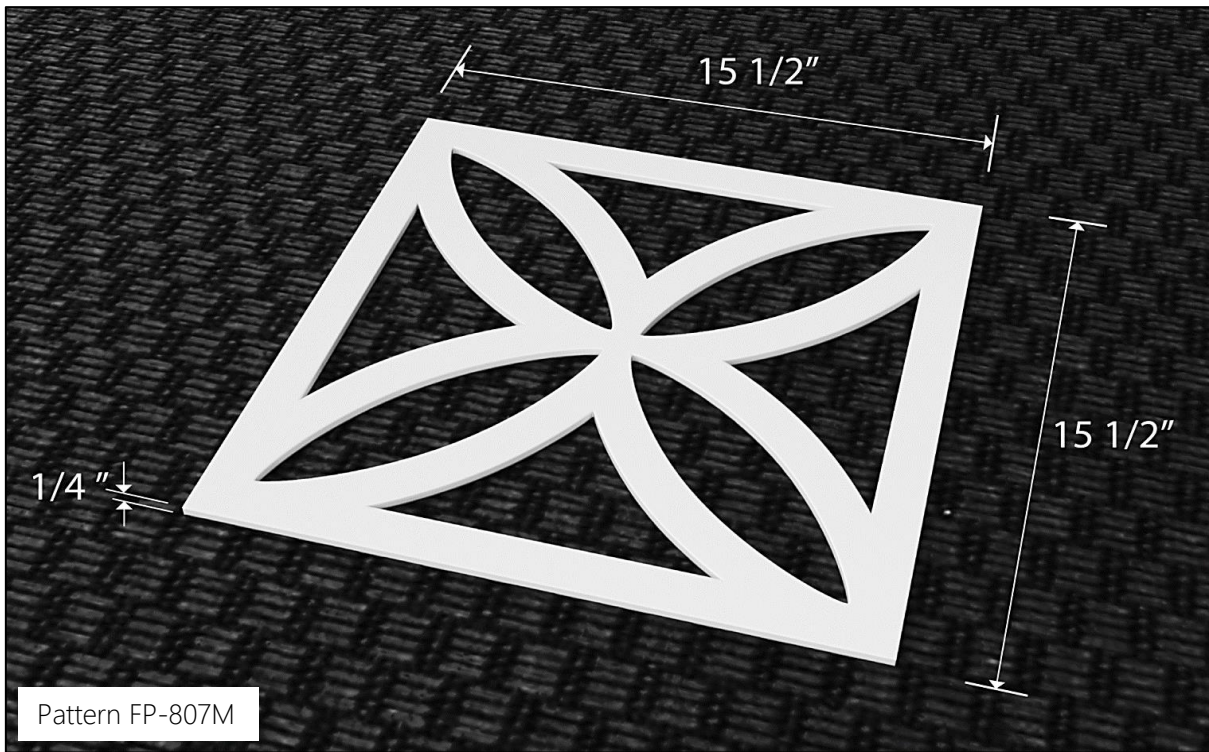
— SAME PATTERN. ALTERNATE LAYOUT. —



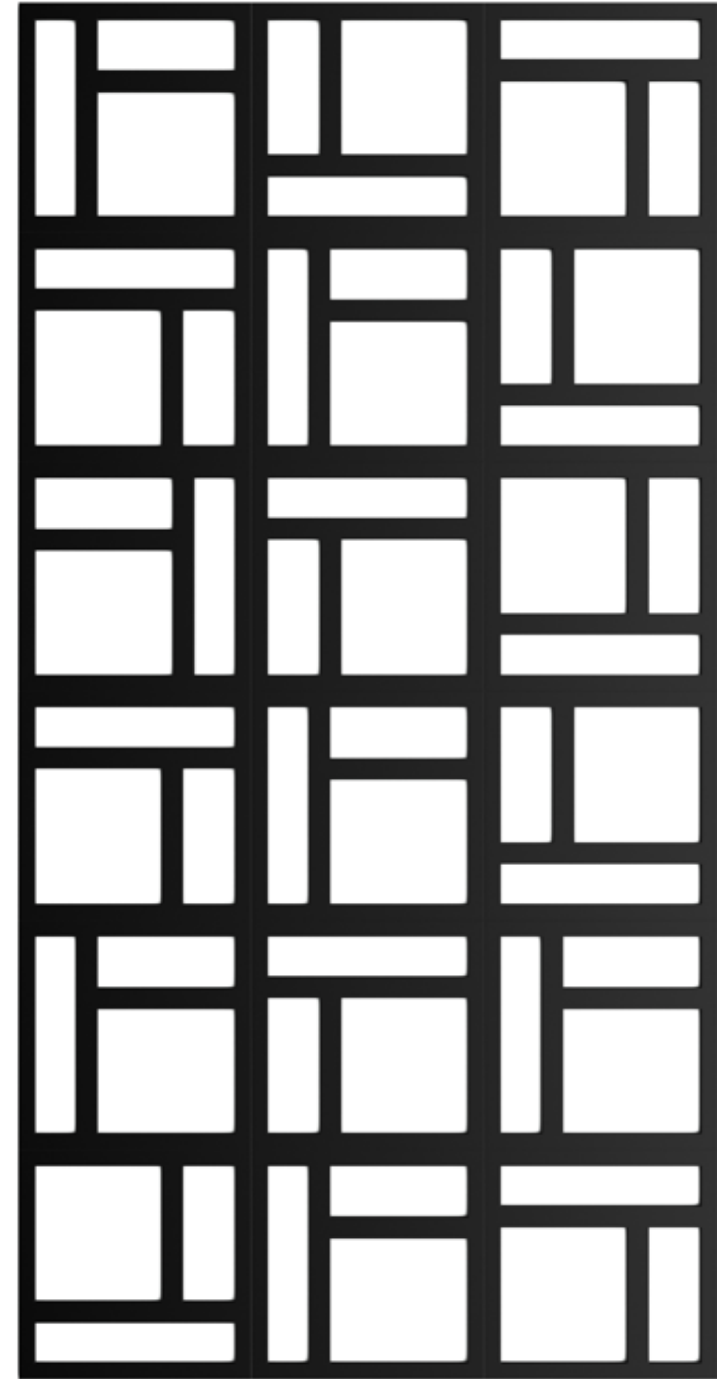
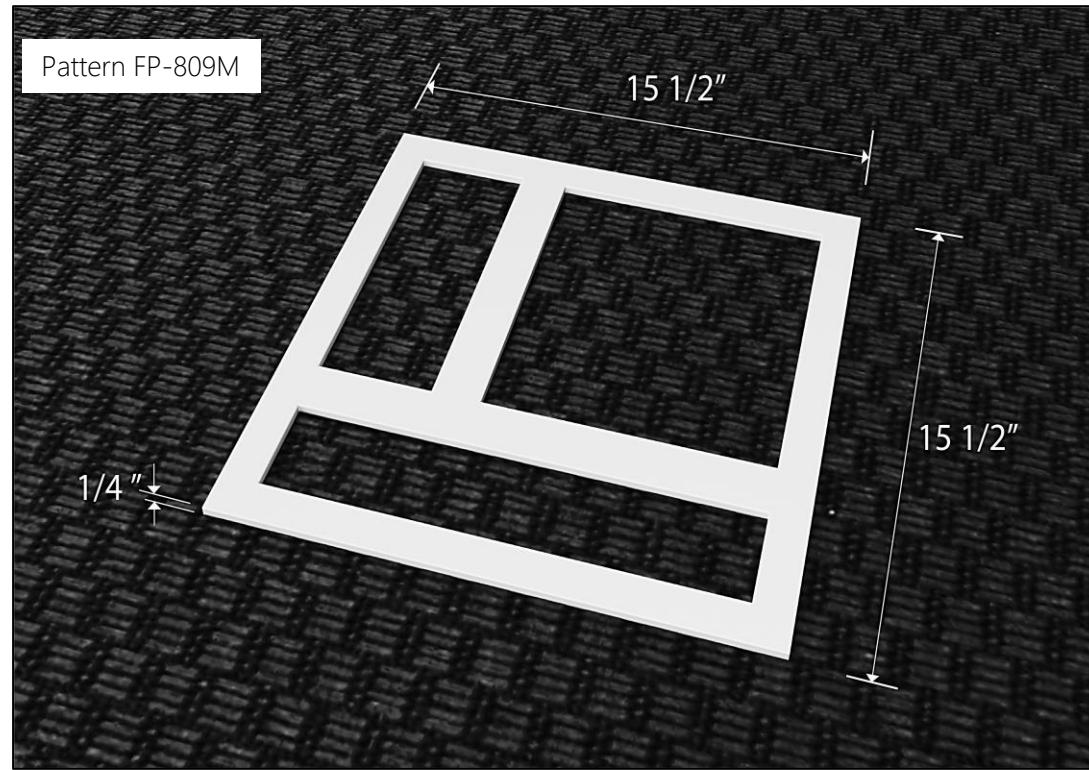
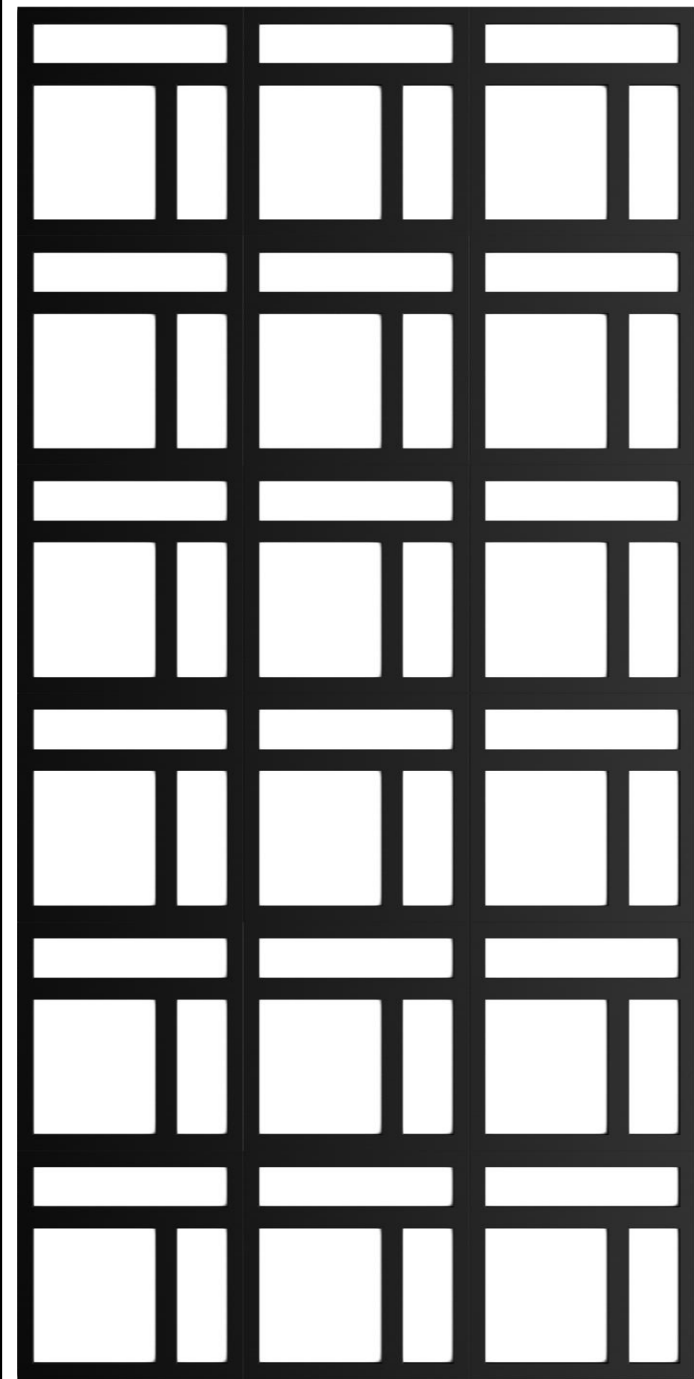
—— SAME PATTERN. ALTERNATE LAYOUT. ——



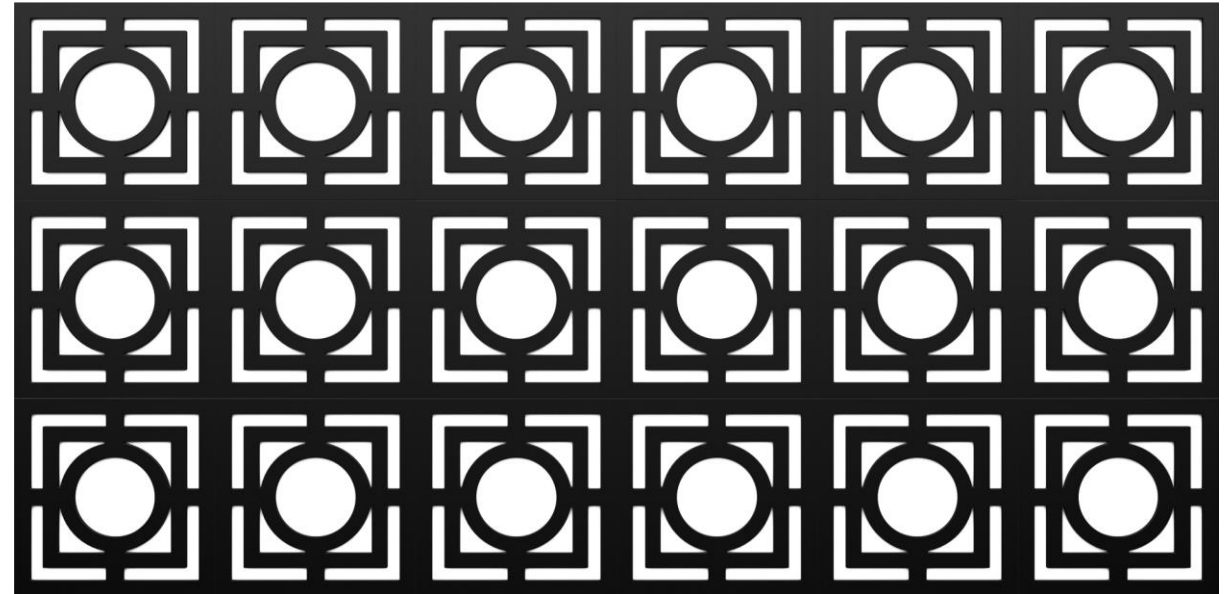
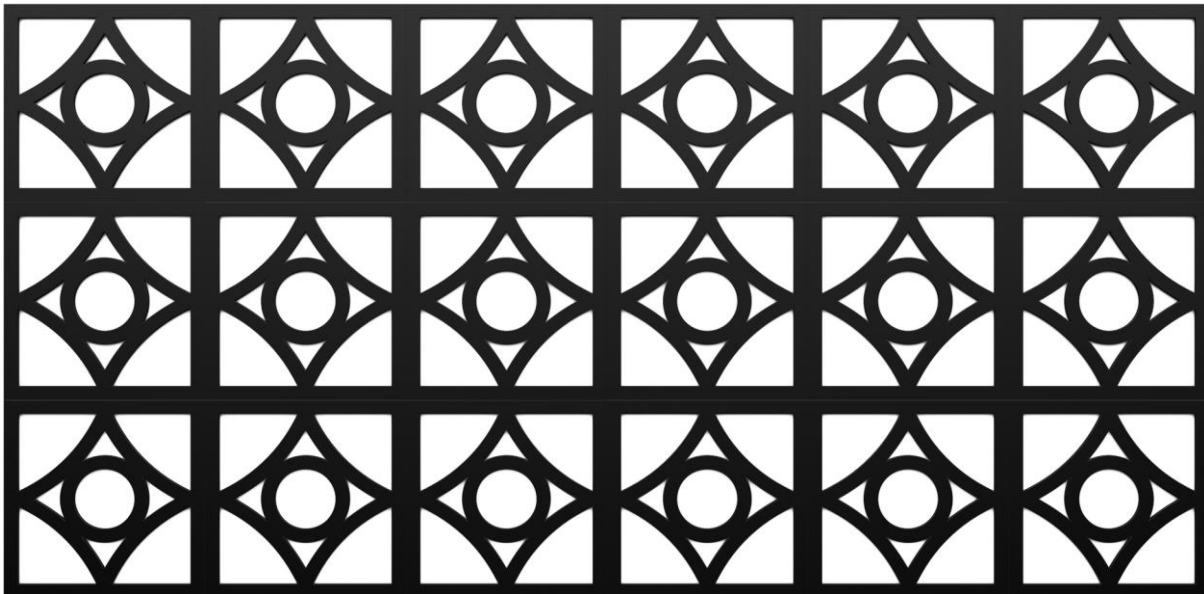
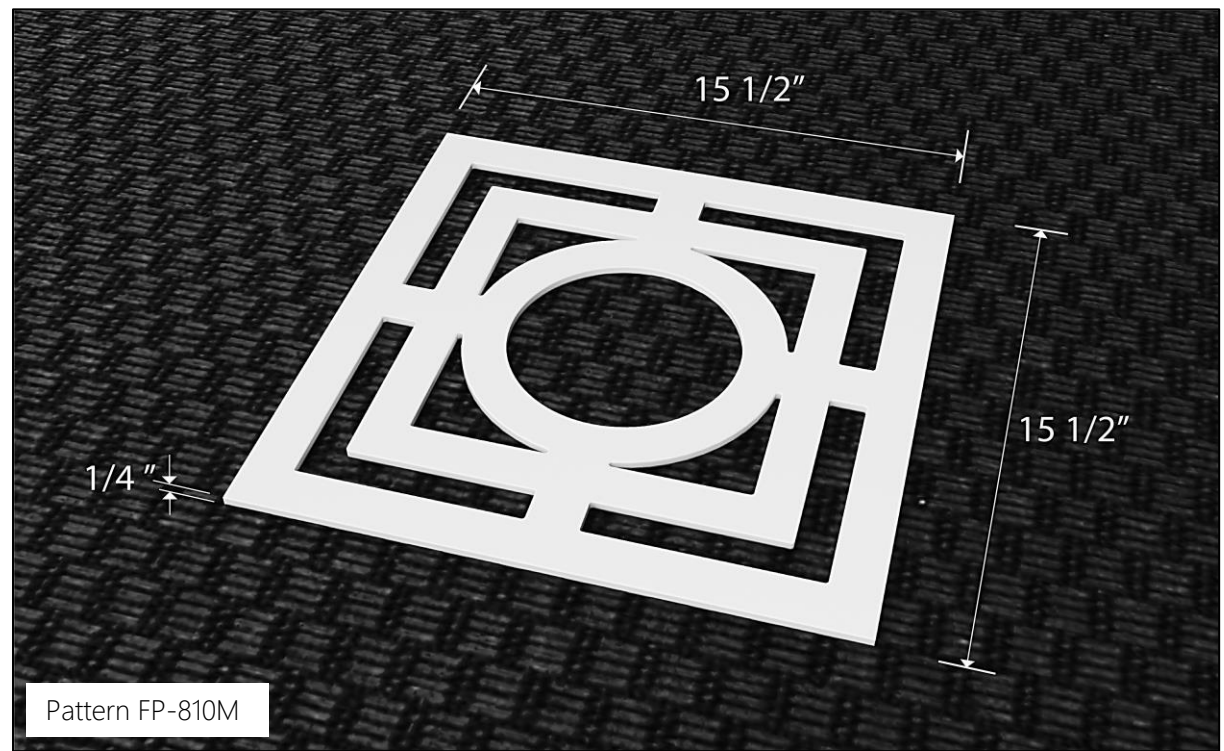
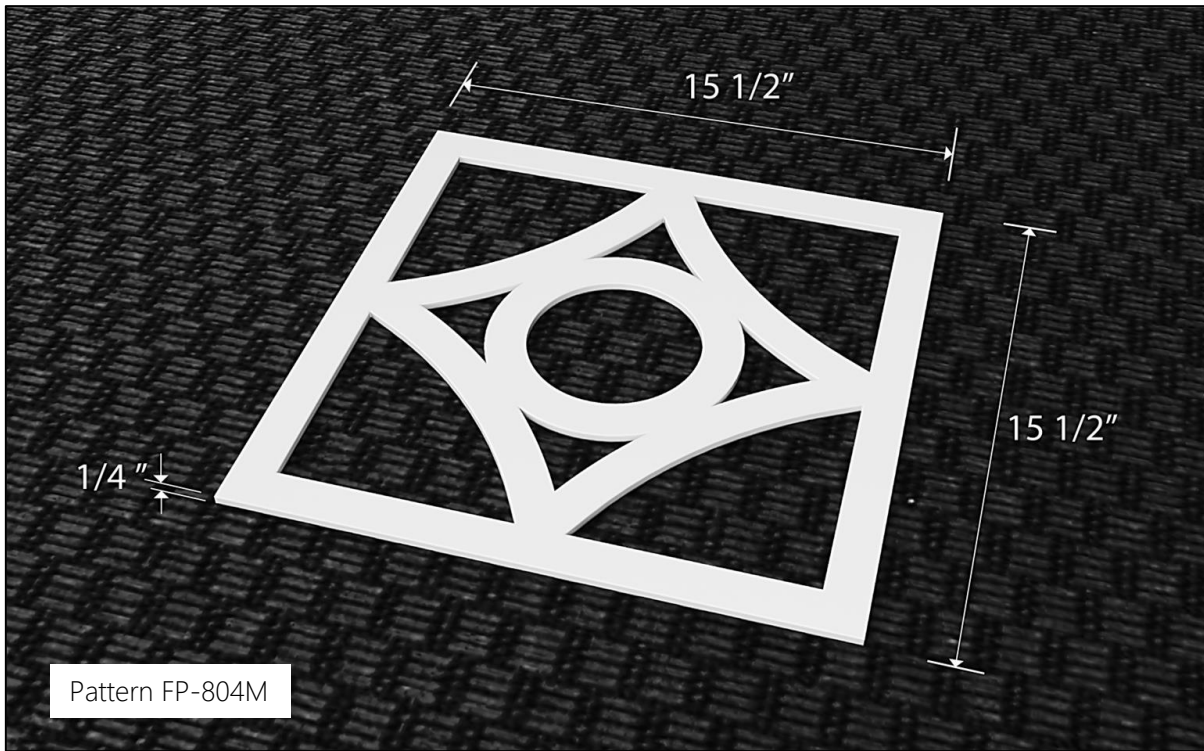




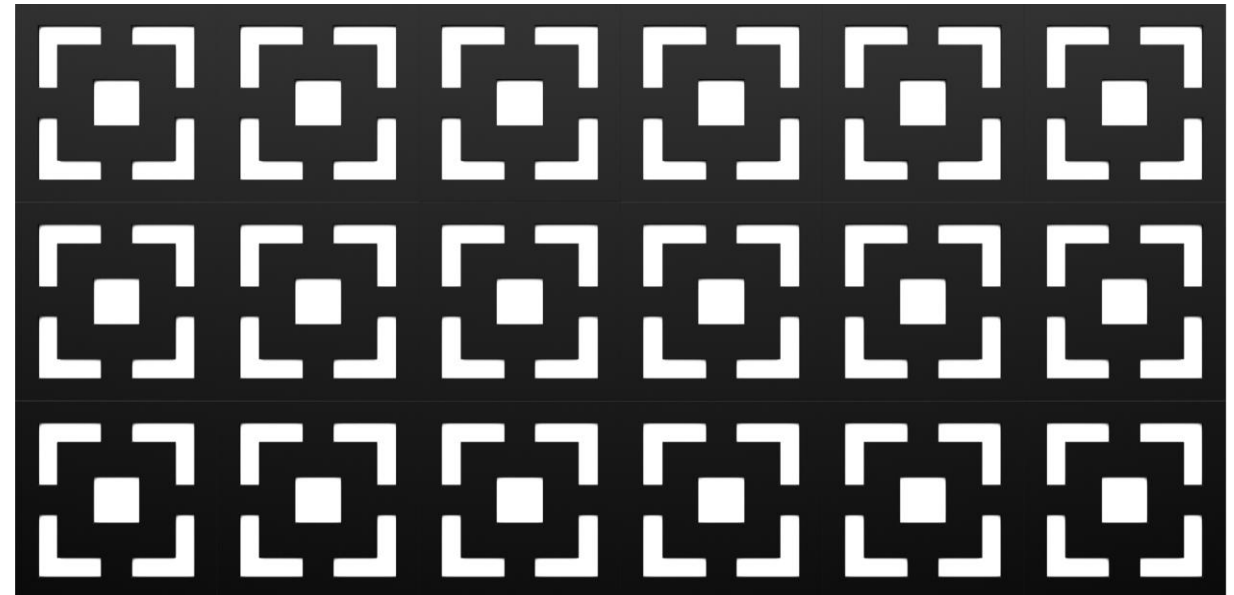
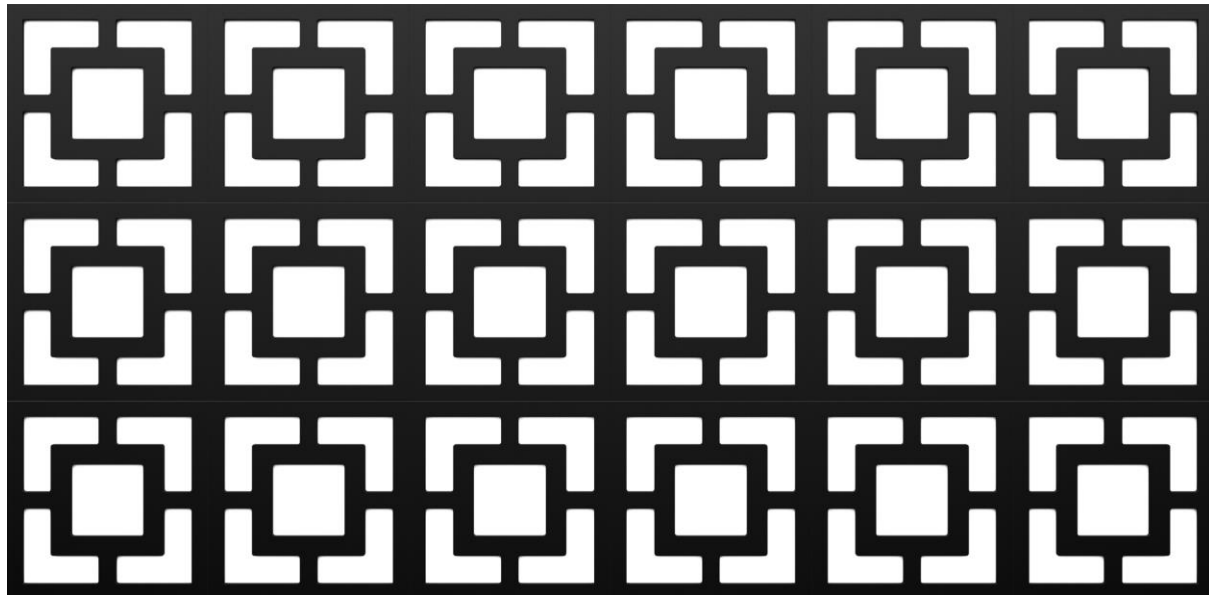
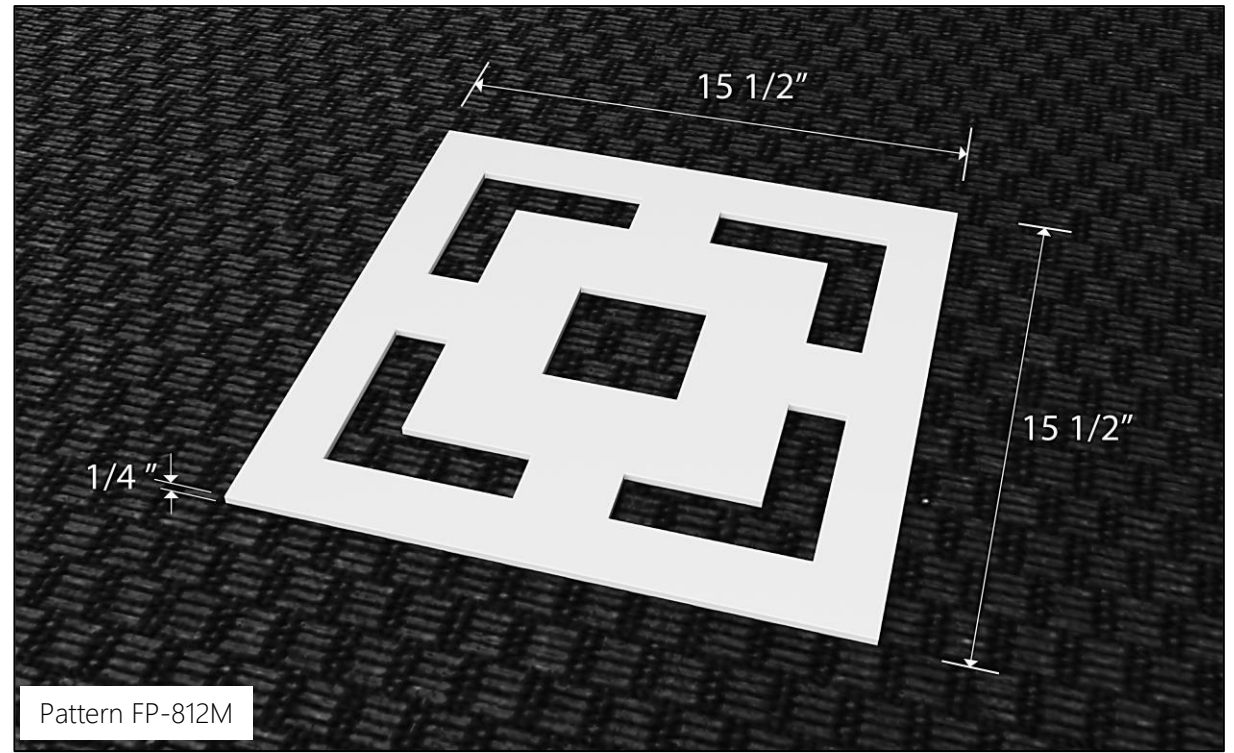
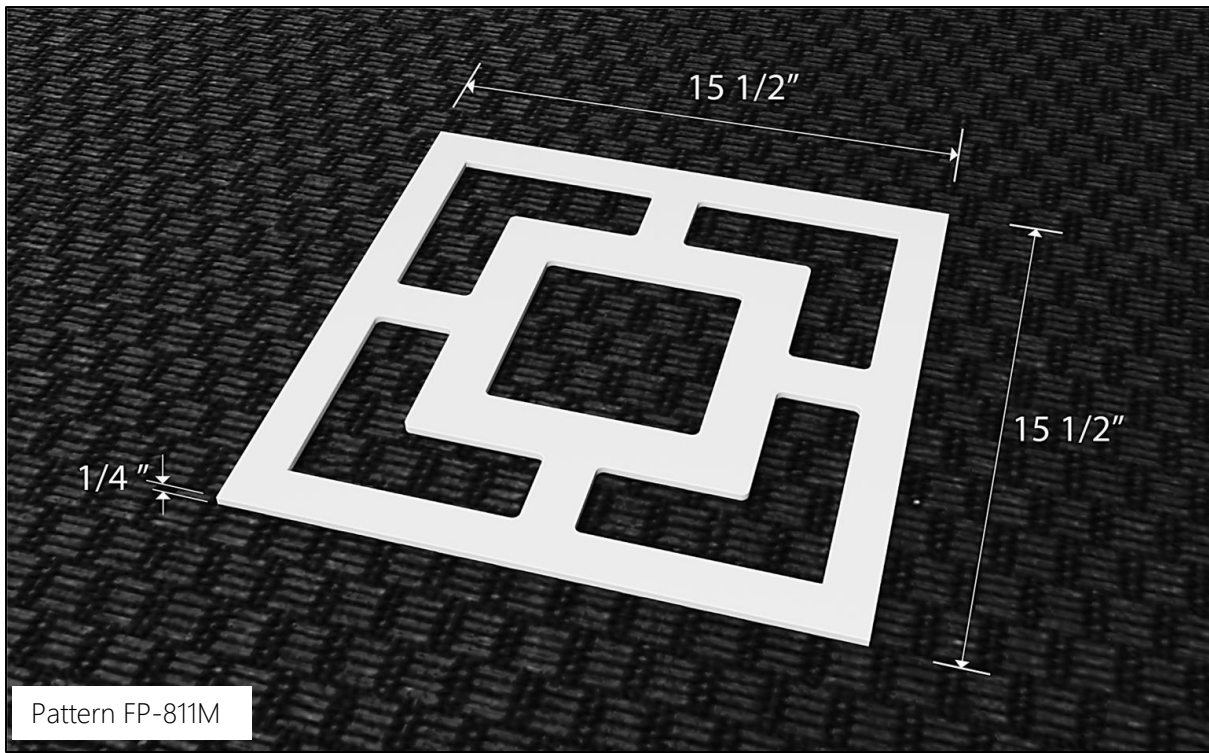




————— SAME PATTERN. ALTERNATE LAYOUT. —————







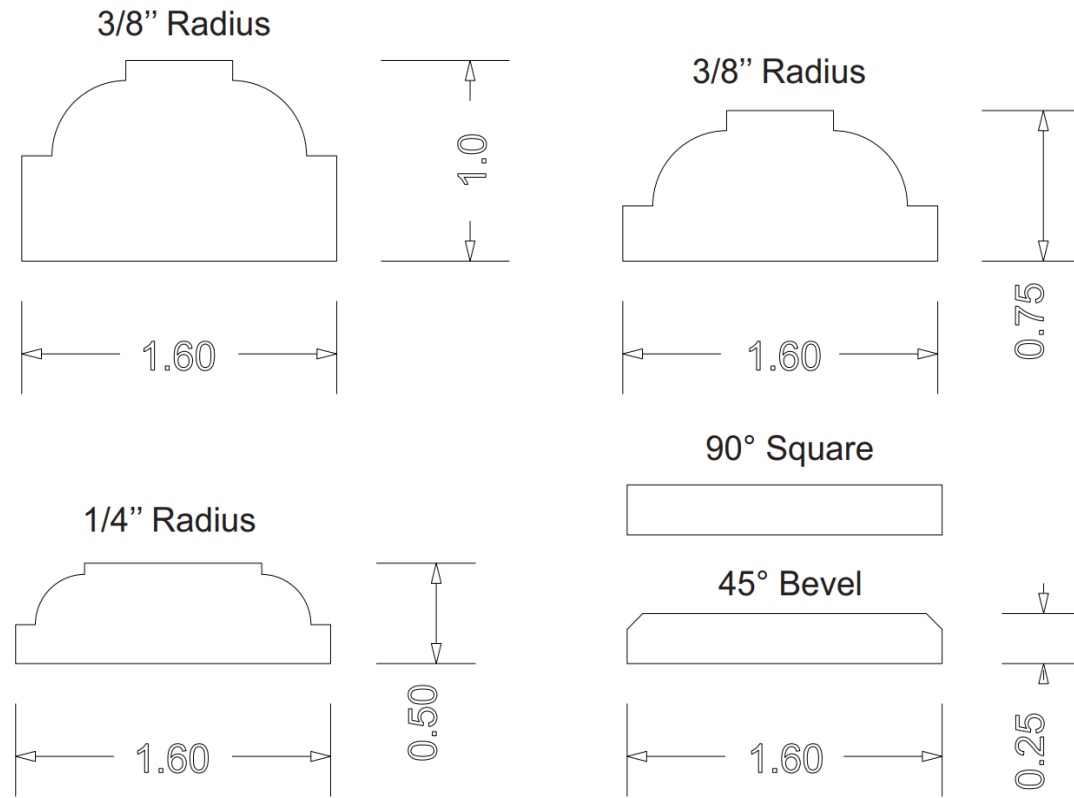
# FULLER

ARCHITECTURAL PANELS

MILLWORK JEWELRY

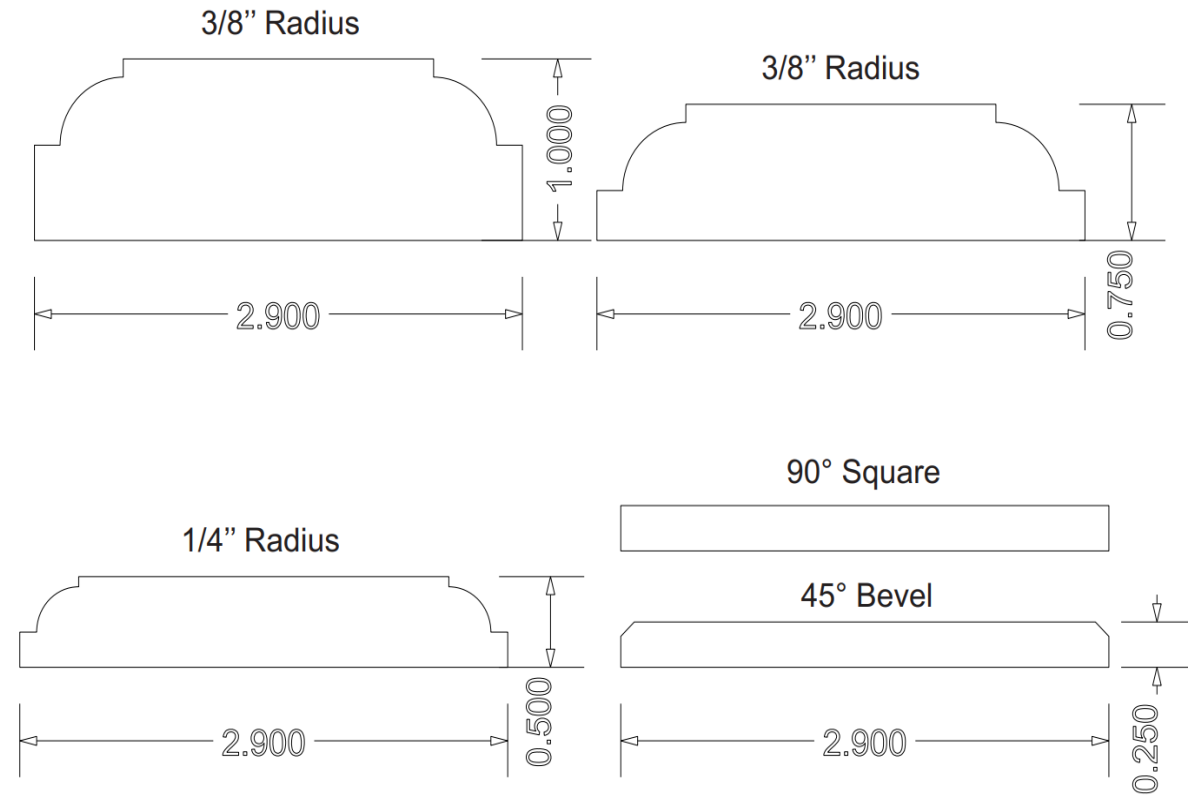
## STANDARD LARGE FORMAT PROFILE DETAILS (SMALL FORMAT N/A)

FP80, FP81, FP82, FP83, FP85, FP86, FP88, FP89, FP90



## STANDARD LARGE FORMAT PROFILE DETAILS (SMALL FORMAT N/A)

FP84



Custom Profiles Available Upon Request



Pattern FP80 Shown



#### Installation & Finishing

- Install using conventional woodworking techniques.
- Carbide tipped blades are recommended for cutting.
- Refer to the Installation Guidelines document found on website.

#### Storage and Handling

- Store items on a flat surface.
- Keep product free of dirt and debris. Clean using warm water and detergent.

#### Additional

- Standard dimensions subject to change without notice.
- Allow 2-3 weeks to fulfill your order.

#### Warranty

##### 3 YEAR LIMITED WARRANTY FOR PRODUCTS

Fuller Architectural Panels (hereinafter "Manufacturer") warrants that products will not rot, split or suffer structural damage from termite or fungal decay for a period of three (3) years from Fuller Architectural Panels. Purchaser's sole remedy for any claim whatsoever, whether in contract, warranty, tort, or strict liability, arising out of the use, storage or possession of Fuller Architectural Panels, including without limitation any claim that Fuller Architectural Panels fail to perform as warranted, shall be replaced with Fuller Architectural Panels. To obtain replacement, the original owner must submit this warranty certificate, with the original purchase invoice indicating the date of purchase, picture of the defective product and detailed description to Fuller Architectural Panels, 2009 Fairview Road #6731 Raleigh, North Carolina 27628. MANUFACTURER'S LIABILITY UNDER WARRANTY IS LIMITED SOLELY TO REPLACEMENT OF DEFECTIVE PRODUCT. THIS WARRANTY SHALL NOT APPLY TO PRODUCT WHICH HAS NOT BEEN INSTALLED IN ACCORDANCE WITH INSTALLATION GUIDELINES SPECIFIED IN THE MANUFACTURER'S "INSTALLATION INSTRUCTIONS", OR TO PRODUCT WHICH HAS BEEN AUSED, PLACED UNDER OR SUBJECT TO ABNORMAL USE CONDITIONS OR USED, MODIFIED OR OTHERWISE TREATED IN ANY MANNER OTHER THAN AS INTENDED BY MANUFACTURER. IN NO EVENT SHALL MANUFACTURER BE LIABLE FOR LABOR, EXEMPLARY OR CONSEQUENTIAL DAMAGES OF ANY KIND WHATSOEVER PURCHASER IS SOLELY RESPONSIBLE FOR DETERMINING THE SUITABILITY OF USE OR APPLICATION OF ANY FULLER ARCHITECTURAL PRODUCT, OR WHETHER PRODUCT MEETS REQUIREMENTS OF APPLICABLE BUILDING CODES OR SAFETY CODES FOR SPECIFIC APPLICATIONS. No person or entity is Authorized by Manufacturer to make, and Manufacturer shall not be bound by any statement or representation as to the performance of Fuller Architectural Panels products other than amended or altered except in a written instrument signed by Manufacturer and Purchaser.